

# I105

## BALL KNOB WITH THREADED HOLE INSERT



### Materials:

Reinforced polyamide.  
Resistant to oils and greases.

### Surface finish:

Satin.

### Colour:

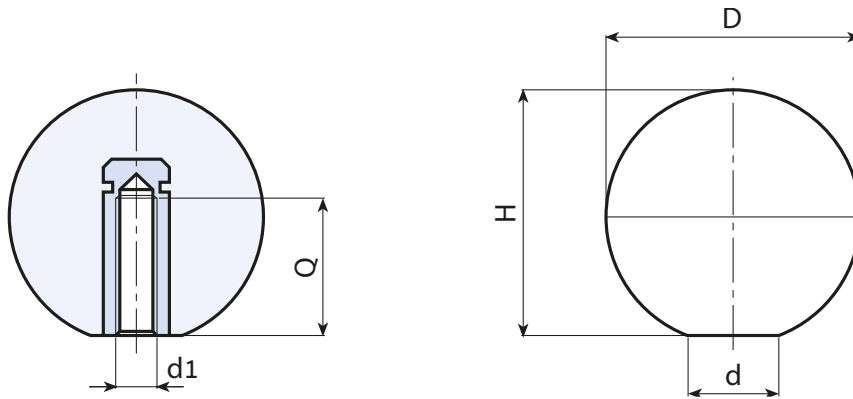
Black (RAL 9011).

### Inserts:

Brass insert with female threaded hole (thread tolerance 6H).

### Special requests:

- Upon request and for special quantities inserts can be supplied in different materials.
- Upon request and for special quantities available in the colours indicated in the chart (ATTENTION: reduced range for measures marked (\*)) [page].



Stock availability as % (🛒)  
90% (●) - 40% (●) - 5% (●)

🛒	art.	D	H	d	d1 <sub>6H</sub>	Q	🛒
●	I10515.TM0401	15	14	8	M4	8	4
●	I10515.TM0501	15	14	8	M5	7	4
●	I10520.TM0401	20	19	10	M4	8	8
●	I10520.TM0501	20	19	10	M5	7	8
●	I10520.TM0601	20	19	10	M6	7	8
●	I10520.TM0801	20	19	10	M8	7	8
●	I10525.TM0501	25	23	14	M5	10	12
●	I10525.TM0601	25	23	14	M6	10	12
●	I10525.TM0801	25	23	14	M8	11	14
●	I10525.TM1001	25	23	14	M10	14	12
●	I10530.TM0501	30	29	14	M5	15	22
●	I10530.TM0601	30	29	14	M6	16	22
●	I10530.TM0801	30	29	14	M8	14	22
●	I10530.TM1001	30	29	14	M10	14	22
●	I10530.TM1201	30	29	14	M12	18	26
●	I10535.TM0601	35	33	16	(*)M6	16	34
●	I10535.TM0801	35	33	16	(*)M8	14	34
●	I10535.TM1001	35	33	16	(*)M10	14	34
●	I10335.TM1201	35	33	16	(*)M12	18	32
●	I10540.TM0801	40	39	16	(*)M8	14	52
●	I10540.TM1001	40	39	16	(*)M10	14	52
●	I10540.TM1201	40	39	16	(*)M12	18	52
●	I10540.TM1401	40	39	16	(*)M14	19	50
●	I10545.TM0801	45	44	18	(*)M8	14	60
●	I10545.TM1001	45	44	18	(*)M10	18	60
●	I10545.TM1201	45	44	18	(*)M12	18	58
●	I10545.TM1401	45	44	18	(*)M14	19	56
●	I10550.TM1001	50	49	18	(*)M10	18	94
●	I10550.TM1201	50	49	18	(*)M12	18	92
●	I10550.TM1401	50	49	18	(*)M14	19	90

Arbel Agencies LTD.

11 Ba'alei Hamelacha st. Qiryat Bialik P.O.B 1095, ZIP 2751311, ISRAEL

+972(0)48736969 ☎ +972(0)48730708 📠 info@arbel-ltd.com 📧 www.arbel-ltd.com 🌐

