

I104

PUSH-FIT BALL KNOB WITH HOLE



Materials:

Reinforced polyamide.
Resistant to oils and greases.

Surface finish:

Satin.

Colour:

Black (RAL 9011).

Hole:

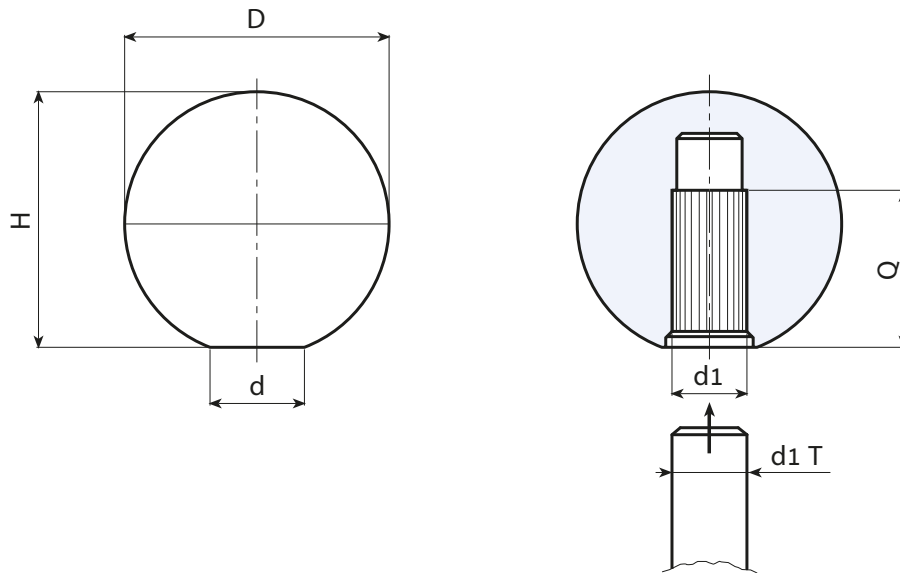
Blind smooth bore, with deformable fixing ribs, obtained by moulding the plastic.

Fixing method:

Push-fit.

Special requests:

- Upon request and for special quantities available in the colours indicated in the chart (ATTENTION: reduced range for measures marked (*)) [page].



Stock availability as % (🛒)
90% (●) - 40% (●) - 5% (●)

🛒	art.	D	H	d	d1 T	d1	Q	📦
●	I10420.TG0501	20	19	10	+0 -0,048	5	12	4
●	I10420.TG0601	20	19	10	+0 -0,048	6	12	4
●	I10425.TG0601	25	23	14	+0 -0,048	6	16	10
●	I10425.TG0801	25	23	14	+0 -0,058	8	16	10
●	I10430.TG0801	30	29	14	+0 -0,058	8	17	16
●	I10430.TG1001	30	29	14	+0 -0,058	10	17	16
●	I10435.TG0801	35	33	16	+0 -0,058	(*) 08	20	26
●	I10435.TG1001	35	33	16	+0 -0,058	(*) 10	20	26
●	I10440.TG1001	40	39	16	+0 -0,058	(*) 10	25	42
●	I10440.TG1201	40	39	16	+0 -0,070	(*) 12	25	38
●	I10445.TG1001	45	44	18	+0 -0,058	(*) 10	25	58
●	I10445.TG1201	45	44	18	+0 -0,070	(*) 12	25	58
●	I10445.TG1401	45	44	18	+0 -0,070	(*) 14	25	56
●	I10450.TG1001	50	49	18	+0 -0,058	(*) 10	25	80
●	I10450.TG1201	50	49	18	+0 -0,070	(*) 12	25	78
●	I10450.TG1401	50	49	18	+0 -0,070	(*) 14	25	76