

I103

BALL KNOB WITH PLASTIC THREADED HOLE



Materials:

Reinforced polyamide.
Resistant to oils and greases.

Surface finish:

Satin.

Colour:

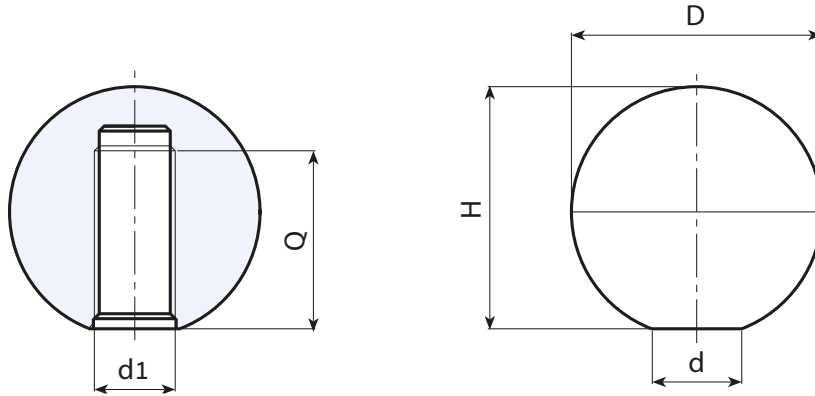
Black (RAL 9011).

Hole:

Female threaded hole obtained by moulding the plastic (thread tolerance not applicable).

Special requests:

- Upon request and for special quantities available in the colours indicated in the chart (ATTENTION: reduced range for measures marked (*)) [page].



Stock availability as % (🛒)
90% (●) - 40% (●) - 5% (●)

🛒	art.	D	H	d	d1	Q	🛒
●	I10315.TM0401	15	14	9	M4	10	2
●	I10315.TM0501	15	14	9	M5	10	2
●	I10320.TM0401	20	19	10	M4	14	6
●	I10320.TM0501	20	19	10	M5	14	6
●	I10320.TM0601	20	19	10	M6	14	6
●	I10320.TM0801	20	19	10	M8	14	6
●	I10325.TM0501	25	23	14	M5	18	10
●	I10325.TM0601	25	23	14	M6	18	10
●	I10325.TM0801	25	23	14	M8	18	10
●	I10325.TM1001	25	23	14	M10	18	8
●	I10330.TM0501	30	29	14	M5	22	18
●	I10330.TM0601	30	29	14	M6	22	18
●	I10330.TM0801	30	29	14	M8	22	16
●	I10330.TM1001	30	29	14	M10	22	16
●	I10330.TM1201	30	29	14	M12	22	14
●	I10335.TM0601	35	33	16	(*)M6	25	28
●	I10335.TM0801	35	33	16	(*)M8	25	26
●	I10335.TM1001	35	33	16	(*)M10	25	26
●	I10335.TM1201	35	33	16	-	18	32
●	I10340.TM0801	40	39	16	(*)M8	25	42
●	I10340.TM1001	40	39	16	(*)M10	25	36
●	I10340.TM1201	40	39	16	(*)M12	25	36
●	I10340.TM1401	40	39	16	(*)M14	25	34
●	I10345.TM0801	45	44	18	(*)M8	25	60
●	I10345.TM1001	45	44	18	(*)M10	25	58
●	I10345.TM1201	45	44	18	(*)M12	25	58
●	I10345.TM1401	45	44	18	(*)M14	25	56
●	I10350.TM1001	50	49	18	(*)M10	25	80
●	I10350.TM1201	50	49	18	(*)M12	25	78
●	I10350.TM1401	50	49	18	(*)M14	25	76
●	I10350.TM1601	50	49	18	(*)M16	25	73