

H774



KNURLED KNOB WITH SLOT END AND THREADED STUD

Materials:

Reinforced polyamide.
Resistant to oils and greases.

Surface finish:

Satin.

Colour:

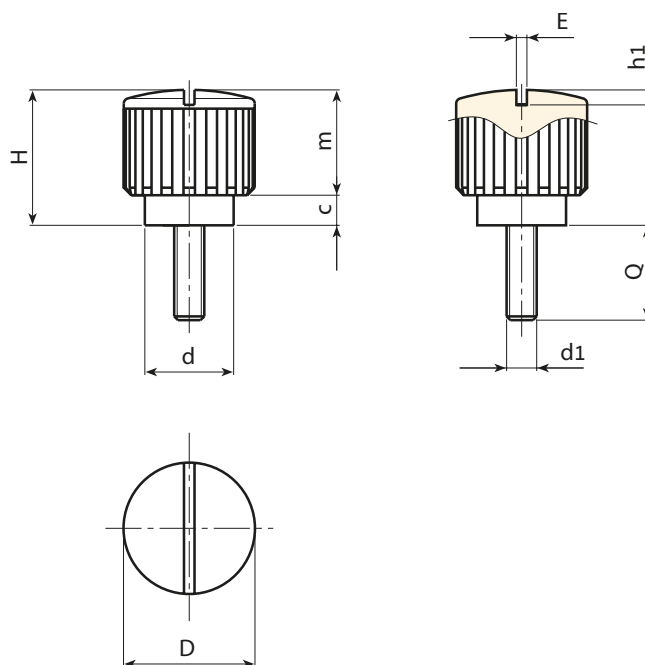
Black (RAL 9011).

Inserts:

Galvanised steel threaded stud (thread tolerance 6g).

Special Requests:

- Upon request and for special quantities inserts can be supplied with customised lengths.
- Upon request and for special quantities inserts can be supplied in different materials.
- Upon request and for special quantities available in the colours indicated in the chart [page].



Stock availability as % (🛒)
90% (●) - 40% (●) - 5% (●)

🛒	art.	D	H	d	m	c	A	B	LM	d16g	Q	📏
●	H77418.TM04X3001	17.5	18	12	4	14	1.2	1.5	50	M4	30	7.5
●	H77418.TM05X..01	17.5	18	12	4	14	1.2	1.5	60	M5	A.R.	-
●	H77418.TM06X..01	17.5	18	12	4	14	1.2	1.5	60	M6	A.R.	-

Enter the selected stud length in place of the two dots . . in the item code.
A.R. = Customised stud length only available for a minimum of 250 pieces.
LM = maximum mouldable length.