

H773



KNURLED KNOB WITH SLOT END AND FEMALE THREADED INSERT

Materials:

Reinforced polyamide.
Resistant to oils and greases.

Surface finish:

Satin.

Colour:

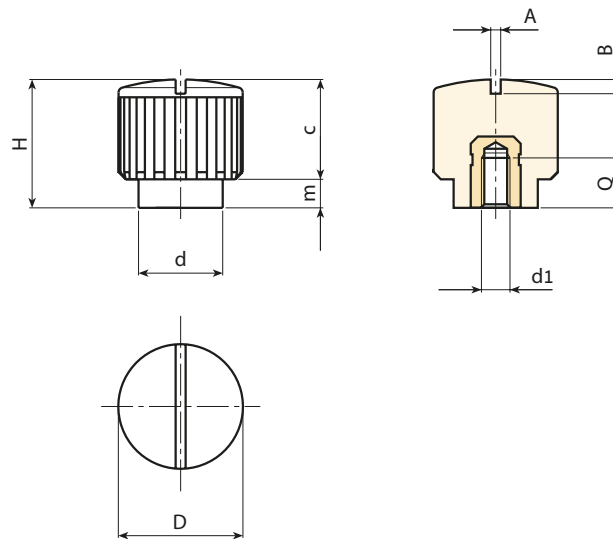
Black (RAL 9011).

Inserts:

Brass insert with female threaded hole (thread tolerance 6H).

Special Requests:

- Upon request and for special quantities inserts can be supplied in different materials.
- Upon request and for special quantities available in the colours indicated in the chart [page].



Stock availability as % (🛒)
90% (●) - 40% (●) - 5% (●)

🛒	art.	D	H	d	m	c	A	B	d16H	Q	📦
●	H77318.TM0401	17.5	18	12	4	14	1.2	1.5	M4	7	6.5
●	H77318.TM0501	17.5	18	12	4	14	1.2	1.5	M5	7	7
●	H77318.TM0601	17.5	18	12	4	14	1.2	1.5	M6	7	7