

# H772

## KNURLED KNOB WITH THREADED THROUGH-HOLE INSERT



**Materials:**

Reinforced polyamide.  
Resistant to oils and greases.

**Surface finish:**

Satin.

**Colour:**

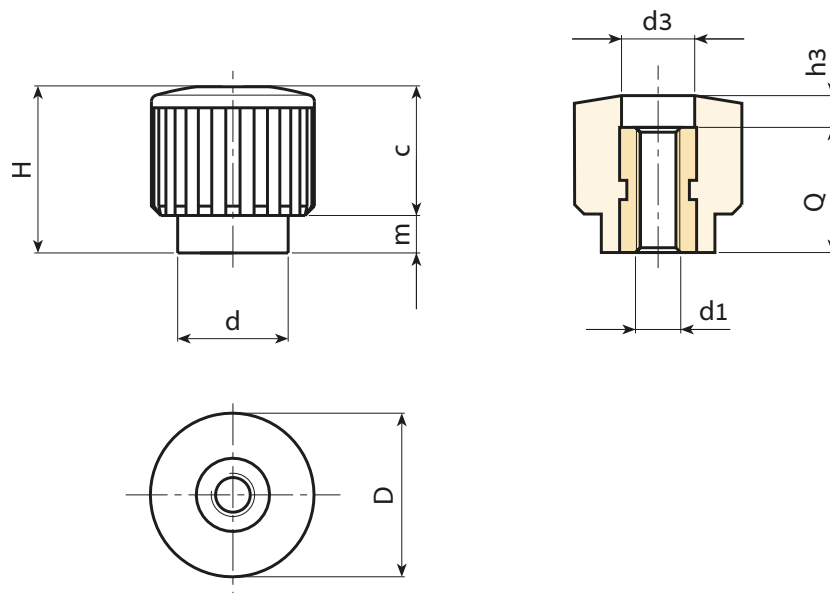
Black (RAL 9011).

**Inserts:**

Brass insert with threaded through hole (thread tolerance 6H).

**Special Requests:**

- Upon request and for special quantities inserts can be supplied in different materials.
- Upon request and for special quantities available in the colours indicated in the chart [page].



Stock availability as % (🛒)  
90% (●) - 40% (●) - 5% (●)

🛒	art.	D	H	d	m	c	d3	h3	d16H	Q	📏
●	H77218.TM0401	17.5	17.5	12	4	13.5	9	4.5	M4	13	5.5
●	H77218.TM0501	17.5	17.5	12	4	13.5	9	4.5	M5	13	5.5
●	H77218.TM0601	17.5	17.5	12	4	13.5	9	4.5	M6	13	5.5