

H771

KNURLED KNOB WITH THREADED STUD



Materials:

Reinforced polyamide.
Resistant to oils and greases.

Surface finish:

Satin.

Colour:

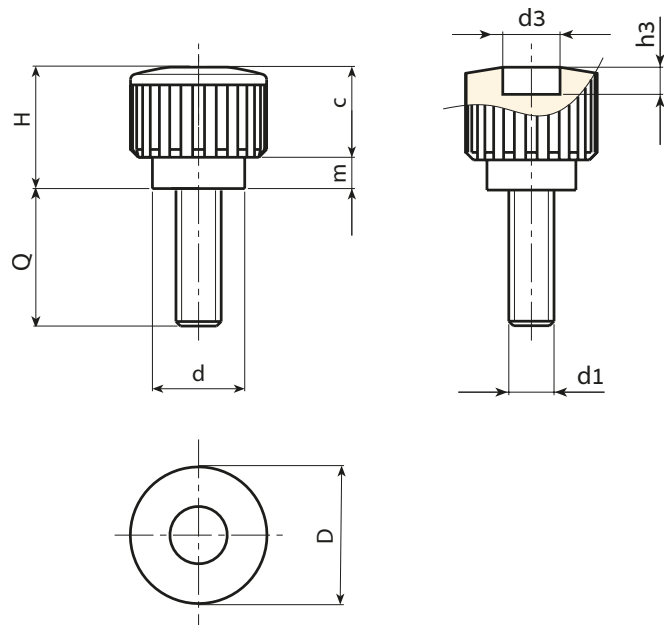
Black (RAL 9011).

Inserts:

Galvanised steel threaded stud (thread tolerance 6g).

Special Requests:

- Upon request and for special quantities inserts can be supplied with customised lengths.
- Upon request and for special quantities inserts can be supplied in different materials.
- Upon request and for special quantities available in the colours indicated in the chart [page].



Stock availability as % (🛒)
90% (●) - 40% (●) - 5% (●)

🛒	art.	D	H	d	m	c	d3	h3	LM	d16g	Q	🔒
-	H77118.TM04X..01	17.5	17.5	12	4	13.5	9	5	50	M4	10-16-30	6-6,5-8
-	H77118.TM05X..01	17.5	17.5	12	4	13.5	9	5	60	M5	10-16-20	6,5-7-8
-	H77118.TM06X..01	17.5	17.5	12	4	13.5	9	5	60	M6	16-20	8,5-9

Enter the selected stud length in place of the two dots . . in the item code. Customised stud length available for a minimum of 250 pieces.

LM = maximum mouldable length.



Arbel Agencies LTD.

11 Ba'alei Hamelacha st. Qiryat Bialik P.O.B 1095, ZIP 2751311, ISRAEL
+972(0)48736969 ☎ +972(0)48730708 📠 info@arbel-ltd.com 🌐 www.arbel-ltd.com 🌐

