

# H770

## KNURLED KNOB WITH FEMALE THREADED INSERT



**Materials:**

Reinforced polyamide.  
Resistant to oils and greases.

**Surface finish:**

Satin.

**Colour:**

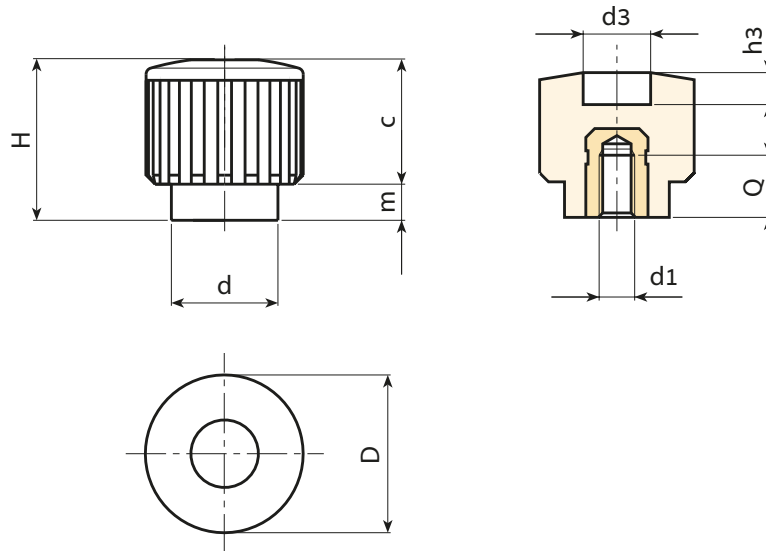
Black (RAL 9011).

**Inserts:**

Brass insert with female threaded hole (thread tolerance 6H).

**Special Requests:**

- Upon request and for special quantities inserts can be supplied in different materials.
- Upon request and for special quantities available in the colours indicated in the chart [page].



Stock availability as % (🛒)  
90% (●) - 40% (●) - 5% (●)

🛒	art.	D	H	d	m	c	d3	h3	d1 <sub>6H</sub>	Q	g
●	H77018.TM0401	17.5	17.5	12	4	13.5	9	5	M4	7	5
●	H77018.TM0501	17.5	17.5	12	4	13.5	9	5	M5	7	5
●	H77018.TM0601	17.5	17.5	12	4	13.5	9	5	M6	7	5