

# H767



## KNURLED HOLLOW HANDWHEEL WITH FEMALE THREADED INSERT

### Materials:

Reinforced polyamide.  
Resistant to oils and greases.

### Surface finish:

Satin.

### Colour:

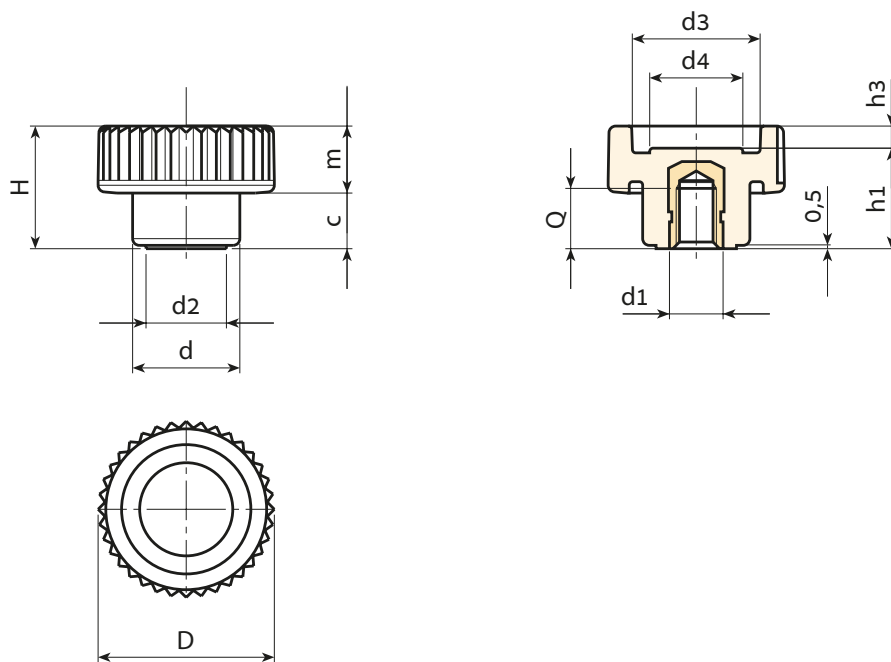
Black (RAL 9011).

### Inserts:

Brass insert with female threaded hole (thread tolerance 6H).

### Special Requests:

- Upon request and for special quantities inserts can be supplied in different materials.
- Upon request and for special quantities available in the colours indicated in the chart [page].



Stock availability as % (🛒)  
90% (●) - 40% (●) - 5% (●)

🛒	art.	D	H	d	m	c	d2	d3	d4	h1	h3	d1 <sub>6H</sub>	Q	🔒
●	H76721.TM0501	21	15	13	6.5	8.5	9.5	15	10.5	12.5	2.5	M5	7	5.5
●	H76721.TM0601	21	15	13	6.5	8.5	9.5	15	10.5	12.5	2.5	M6	7	6
●	H76726.TM0601	26	18	16	8.5	9.5	12	19	13	15	3	M6	9	8
●	H76726.TM0801	26	18	16	8.5	9.5	12	19	13	15	3	M8	8	8.5
●	H76733.TM0801	32	23	20	10.5	12.5	15	23	16	18	5	M8	11	15.5
●	H76733.TM1001	32	23	20	10.5	12.5	15	23	16	18	5	M10	10	16
●	H76740.TM0801	40	28	25	12.5	15.5	18	28	21	22	6	M8	14	27
●	H76740.TM1001	40	28	25	12.5	15.5	18	28	21	22	6	M10	14	28
●	H76740.TM1201	40	28	25	12.5	15.5	18	28	21	22	6	M12	12	29