

H766CIN

+135°
-30°

PA6
+G.F.

UL94
HB

RoHS
COMPLIANT

KNURLED HOLLOW HANDWHEEL WITH STAINLESS STEEL THREADED STUD

INOX

Materials:

Reinforced polyamide.
Resistant to oils and greases.

Surface finish:

Satin.

Colour:

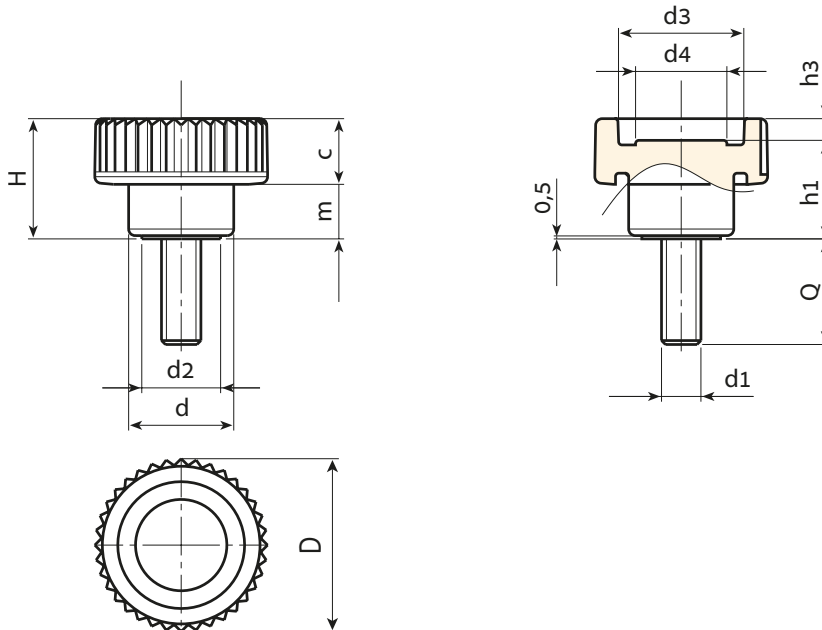
Black (RAL 9011).

Inserts:

Stainless steel threaded stud (Aisi 303) (thread tolerance 6g).

Special Requests:

- Upon request and for special quantities inserts can be supplied with customised lengths.
- Upon request and for special quantities available in the colours indicated in the chart [page].



INOX

Stock availability as % (🛒)
90% (🟢) - 40% (🟡) - 5% (🔴)

🛒	art.	D	H	d	m	c	d2	d3	d4	h1	h3	LM	d16g	Q	🛒
🔴	H76615.TM04X..01CIN	15	10.5	10	4.5	6	8	10	7.5	8.5	2	40	M4	A.R.	-
🔴	H76615.TM05X..01CIN	15	10.5	10	4.5	6	8	10	7.5	8.5	2	40	M5	A.R.	-
🟢	H76621.TM05X1601CIN	21	15	13	6.5	8.5	9.5	15	10.5	12.5	2.5	40	M5	16	9.5
🔴	H76621.TM06X..01CIN	21	15	13	6.5	8.5	9.5	15	10.5	12.5	2.5	40	M6	A.R.	-
🔴	H76626.TM06X..01CIN	26	18	16	8.5	9.5	12	19	13	15	3	80	M6	A.R.	-
🟢	H76626.TM08X2001CIN	26	18	16	8.5	9.5	12	19	13	15	3	80	M8	20	16.5
🟢	H76633.TM08X4001CIN	32	23	20	10.5	12.5	15	23	16	18	5	80	M8	40	36
🔴	H76633.TM10X..01CIN	32	23	20	10.5	12.5	15	23	16	18	5	80	M10	A.R.	-
🔴	H76640.TM08X..01CIN	40	28	25	12.5	15.5	18	28	21	22	6	100	M8	A.R.	-
🔴	H76640.TM10X..01CIN	40	28	25	12.5	15.5	18	28	21	22	6	100	M10	A.R.	-
🔴	H76640.TM12X..01CIN	40	28	25	12.5	15.5	18	28	21	22	6	100	M12	A.R.	-
🔴	H76640.TM14X..01CIN	40	28	25	12.5	15.5	18	28	21	22	6	100	M14	A.R.	-

Enter the selected stud length in place of the two dots . . in the item code.

A.R. = Customised stud length only available for a minimum of 250 pieces.

LM = maximum mouldable length.