

H766



KNURLED HOLLOW HANDWHEEL WITH THREADED STUD

Materials:

Reinforced polyamide.
Resistant to oils and greases.

Surface finish:

Satin.

Colour:

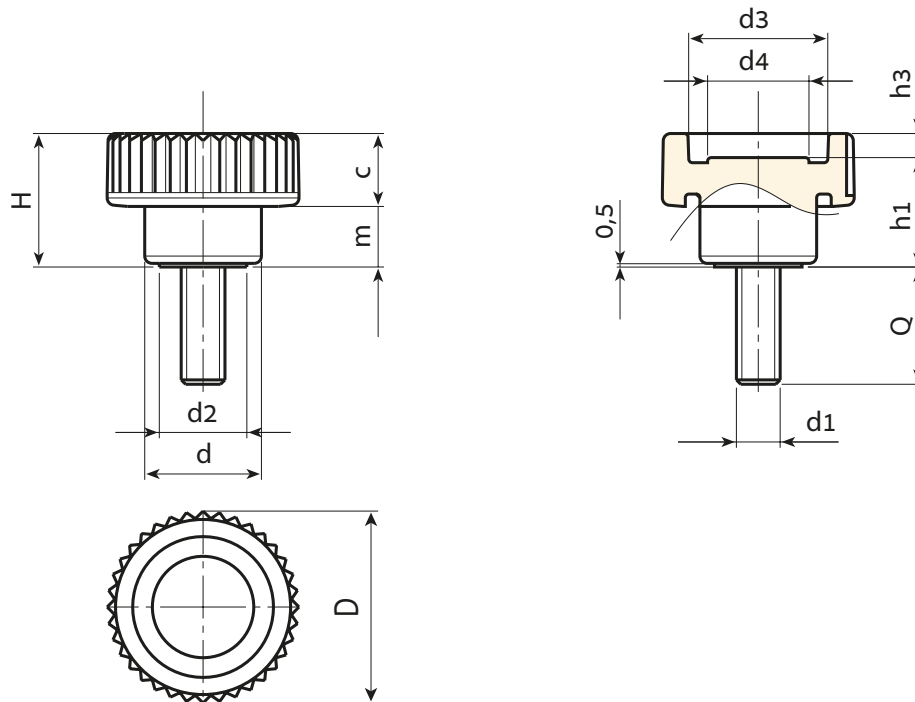
Black (RAL 9011).

Inserts:

Galvanised steel threaded stud (thread tolerance 6g).

Special Requests:

- Upon request and for special quantities inserts can be supplied with customised lengths.
- Upon request and for special quantities inserts can be supplied in different materials.
- Upon request and for special quantities available in the colours indicated in the chart [page].



Stock availability as % (🛒)
90% (●) - 40% (●) - 5% (●)

art.	D	H	d	m	c	d2	d3	d4	h1	h3	LM	d16g	Q	🛒
H76615.TM04X..01	15	10.5	10	4.5	6	8	10	7.5	8.5	2	40	M4	11-15-19	2,5-3-3,5
H76615.TM05X..01	15	10.5	10	4.5	6	8	10	7.5	8.5	2	40	M5	11-15-19	4-4,5-5
H76621.TM05X..01	21	15	13	6.5	8.5	9.5	15	10.5	12.5	2.5	40	M5	10-16-20-30	6,5-6,5-7,5-9,5
H76621.TM06X..01	21	15	13	6.5	8.5	9.5	15	10.5	12.5	2.5	40	M6	10-16-20-25	7,5-8,5-9-10,5
H76626.TM06X..01	26	18	16	8.5	9.5	12	19	13	15	3	80	M6	10-16-20-25	10-11-11,5-12,5
H76626.TM08X..01	26	18	16	8.5	9.5	12	19	13	15	3	80	M8	16-20-25	15,5-16,5-18,5
H76633.TM08X..01	32	23	20	10.5	12.5	15	23	16	18	5	80	M8	16-20-30	21-24-30
H76633.TM10X..01	32	23	20	10.5	12.5	15	23	16	18	5	80	M10	20-30-40	30-30,5-35,5
H76640.TM08X..01	40	28	25	12.5	15.5	18	28	21	22	6	100	M8	16-30-40	29,5-38-44
H76640.TM10X3001	40	28	25	12.5	15.5	18	28	21	22	6	100	M10	30	46
H76640.TM12X5001	40	28	25	12.5	15.5	18	28	21	22	6	100	M12	50	78
H76640.TM14X..01	40	28	25	12.5	15.5	18	28	21	22	6	100	M14	A.R.	-

Enter the selected stud length in place of the two dots . . in the item code.
A.R. = Customised stud length only available for a minimum of 250 pieces.
LM = maximum mouldable length.