

# H758



## KNURLED HANDWHEEL WITH HUB AND FEMALE THREADED INSERT

### Materials:

Reinforced polyamide.  
Resistant to oils and greases.

### Surface finish:

Satin.

### Colour:

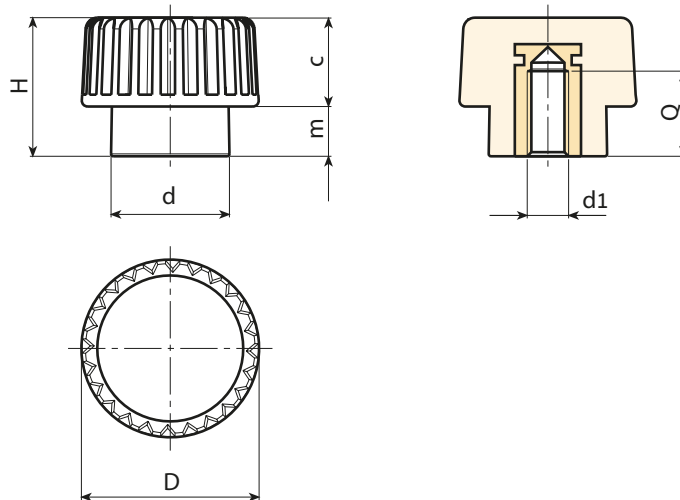
Black (RAL 9011).

### Inserts:

Brass insert with female threaded hole (thread tolerance 6H).

### Special Requests:

- Upon request and for special quantities inserts can be supplied in different materials.
- Upon request and for special quantities available in the colours indicated in the chart [page].



Stock availability as % (🛒)  
90% (●) - 40% (●) - 5% (●)

🛒	art.	D	H	d	m	c	d1 <sub>6H</sub>	Q	🛒
●	H75815.TM0401	15	12	10	4.5	7.5	M4	7	4
●	H75815.TM0501	15	12	10	4.5	7.5	M5	7	4
●	H75815.TM0601	15	12	10	4.5	7.5	M6	7	4