

# H757



## KNURLED SOLID HANDWHEEL WITH FEMALE THREADED INSERT

### Materials:

Reinforced polyamide.  
Resistant to oils and greases.

### Surface finish:

Satin.

### Colour:

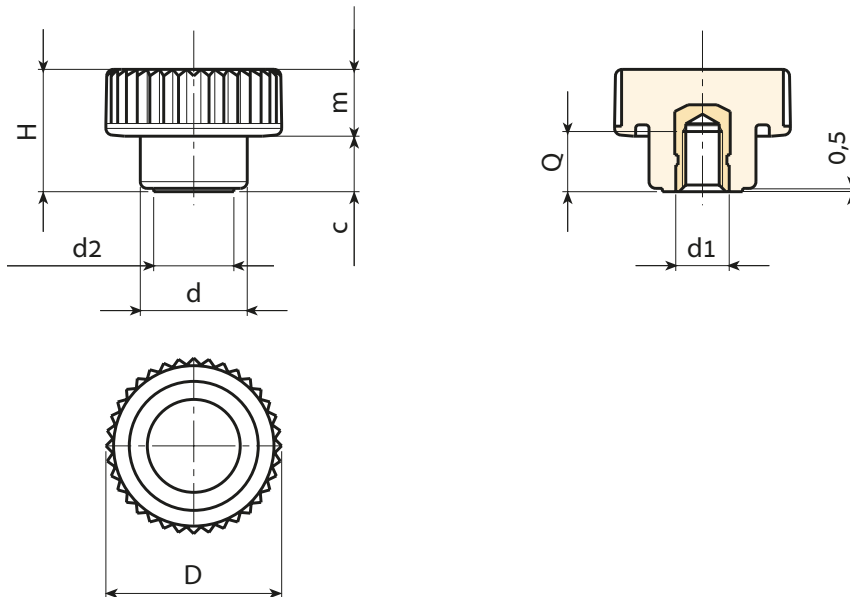
Black (RAL 9011).

### Inserts:

Brass insert with female threaded hole (thread tolerance 6H).

### Special Requests:

- Upon request and for special quantities inserts can be supplied in different materials.
- Upon request and for special quantities available in the colours indicated in the chart [page].



Stock availability as % (🛒)  
90% (●) - 40% (●) - 5% (●)

🛒	art.	D	H	d	m	c	d2	d1 <sub>6H</sub>	Q	g
●	H75726.TM0501	26	18	16	8.5	9.5	12	M5	6	9
●	H75726.TM0601	26	18	16	8.5	9.5	12	M6	9	10
●	H75726.TM0801	26	18	16	8.5	9.5	12	M8	8	11