

H753



KNURLED SOLID HANDWHEEL WITH THREADED STUD

Materials:

Reinforced polyamide.
Resistant to oils and greases.

Surface finish:

Satin.

Colour:

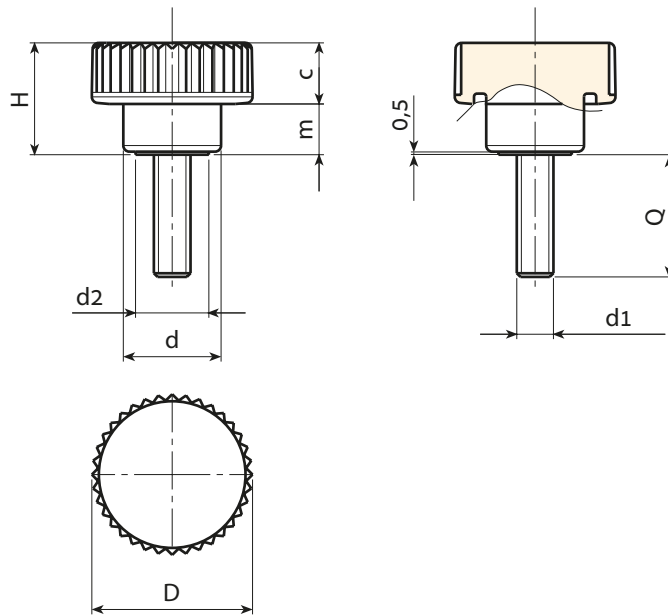
Black (RAL 9011).

Inserts:

Galvanised steel threaded stud (thread tolerance 6g).

Special Requests:

- Upon request and for special quantities inserts can be supplied with customised lengths.
- Upon request and for special quantities inserts can be supplied in different materials.
- Upon request and for special quantities available in the colours indicated in the chart [page].



Stock availability as % (🛒)
90% (●) - 40% (●) - 5% (●)

🛒	art.	D	H	d	m	c	d2	LM	d16g	Q	🛒
-	H75326.TM05X..01	26	18	16	8.5	9.5	12	50	M5	A.R.	-
-	H75326.TM06X..01	26	18	16	8.5	9.5	12	50	M6	20-25	13-14
-	H75326.TM08X..01	26	18	16	8.5	9.5	12	50	M8	20-30	20-22

Enter the selected stud length in place of the two dots .. in the item code.
A.R. = Customised stud length only available for a minimum of 250 pieces.
LM = maximum mouldable length.