

# H180



PF

UL94  
HB



## KNURLED KNOB WITH BAKELITE HUB AND THREADED HOLE INSERT

### Materials:

Phenolic resin.  
Resistant to oils and greases.  
Resistant to high temperatures.

### Surface finish:

Glossy.

### Colour:

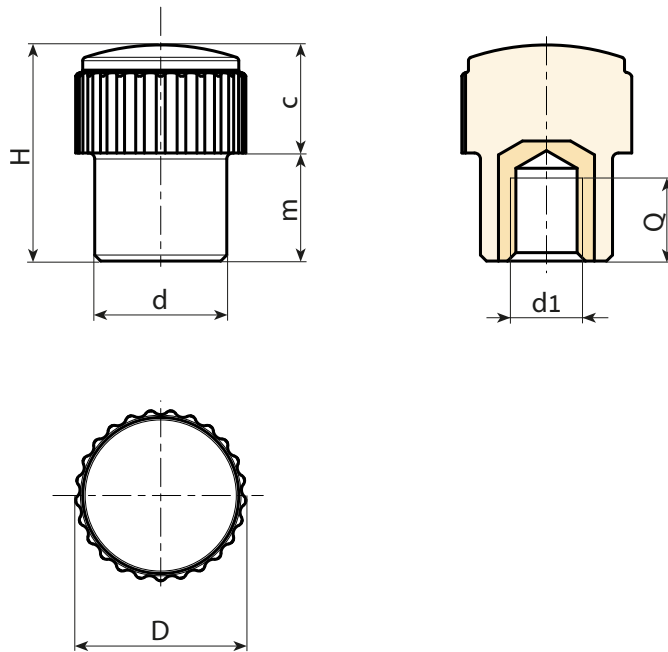
Black (RAL 9011).

### Inserts:

Brass insert with female threaded hole (thread tolerance 6H).

### Special requests:

- None.



Stock availability as % (🛒)  
90% (●) - 40% (●) - 5% (●)

🛒	art.	D	H	d	d1 <sub>6H</sub>	Q	📦
●	H18015.BM0501	15	18	11	M5	11	5