

# H172

## KNURLED KNOB WITH SLOT END AND THREADED STUD



### Materials:

Reinforced polyamide.  
Resistant to oils and greases.

### Surface finish:

Satin.

### Colour:

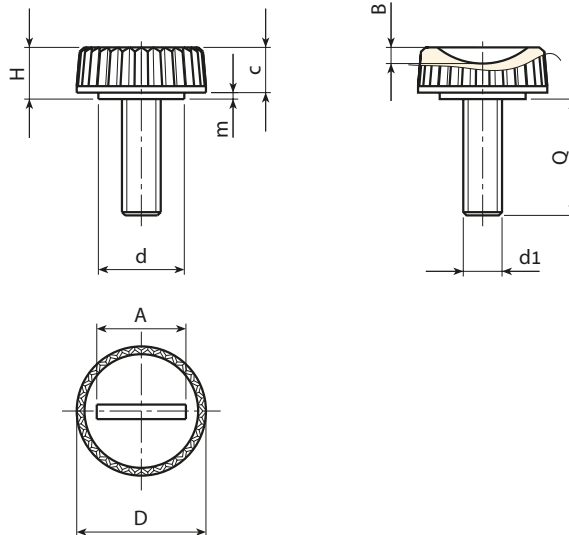
Black (RAL 9011).

### Inserts:

Galvanised steel threaded stud (thread tolerance 6g).

### Special Requests:

- Upon request and for special quantities inserts can be supplied with customised lengths.
- Upon request and for special quantities inserts can be supplied in different materials.
- Upon request and for special quantities available in the colours indicated in the chart [page ].



Stock availability as % (🛒)  
90% (●) - 40% (●) - 5% (●)

🛒	art.	D	H	d	m	c	A	B	LM	d16g	Q	🏠
●	H17220.TM06X..01	20	8	13.5	1	7	14	2.5	39	M6	A.R.	-

Enter the selected stud length in place of the two dots . . in the item code. Customised stud length only available for a minimum of 500 pieces.

A.R. = Upon request.

LM = maximum mouldable length.



Arbel Agencies LTD.  
11 Ba'alei Hamelacha st. Qiryat Bialik P.O.B 1095, ZIP 2751311, ISRAEL  
+972(0)48736969 ☎ +972(0)48730708 📠 info@arbel-ltd.com 📧 www.arbel-ltd.com 🌐

