

G799

ELONGATED KNOB WITH THREADED STUD



Materials:

Reinforced polyamide.
Resistant to oils and greases.

Surface finish:

Satin.

Colour:

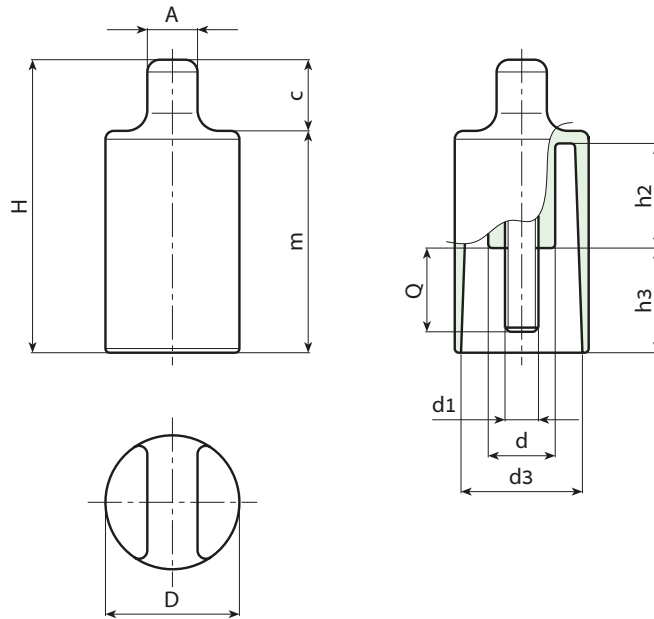
Black (RAL 9011).

Inserts:

Galvanised steel threaded stud (thread tolerance 6g).

Special requests:

- Upon request and for special quantities inserts can be supplied in different materials.
- Upon request and for special quantities available in the colours indicated in the chart [page].



Stock availability as % (🛒)

90% (●) - 40% (●) - 5% (●)

🛒	art.	D	H	d	A	c	m	h2	h3	d3	d1 _{6g}	Q	🛒
●	G79932.TM06X1601	32	69	12	12	15	54	25	26	28	M6	16	40
●	G79932.TM08X1601	32	69	12	12	15	54	25	26	28	M8	16	48