

G798

ELONGATED KNOB WITH THREADED INSERT



Materials:

Reinforced polyamide.
Resistant to oils and greases.

Surface finish:

Satin.

Colour:

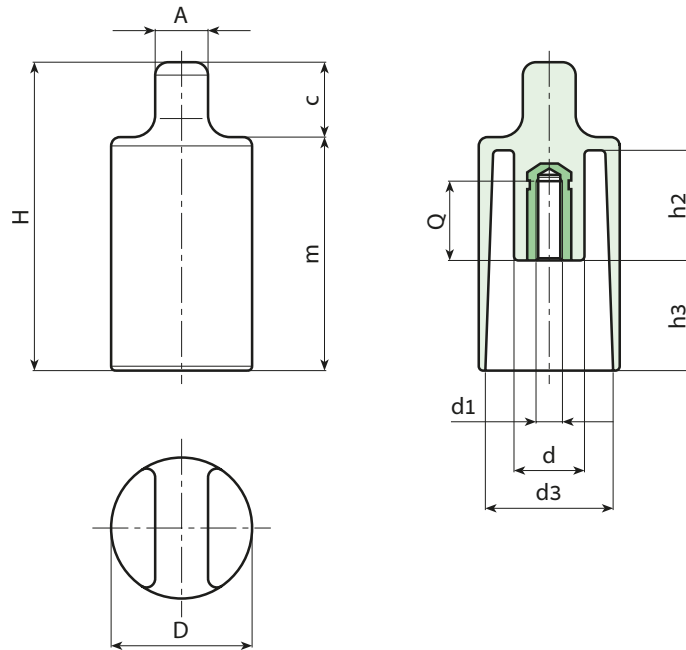
Black (RAL 9011).

Inserts:

Brass insert with female threaded hole (thread tolerance 6H).

Special requests:

- Upon request and for special quantities inserts can be supplied in different materials.
- Upon request and for special quantities available in the colours indicated in the chart [page].



Stock availability as % (🛒)
90% (●) - 40% (●) - 5% (●)

🛒	art.	D	H	d	A	c	m	h2	h3	d3	d16H	Q	🛒
●	G79832.TM0601	32	69	12	12	15	54	25	26	28	M6	22	32
●	G79832.TM0801	32	69	12	12	15	54	25	26	28	M8	20	38