

# G797

## KNOB WITH THREADED STUD



### Materials:

Reinforced polyamide.  
Resistant to oils and greases.

### Surface finish:

Satin.

### Colour:

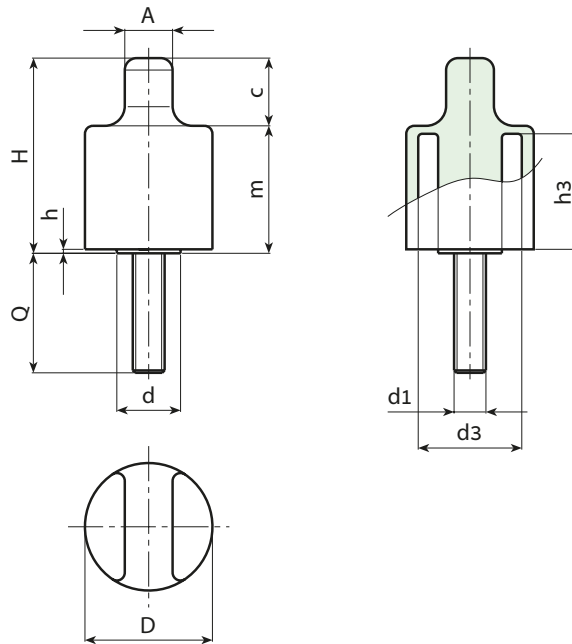
Black (RAL 9011).

### Inserts:

Galvanised steel threaded stud (thread tolerance 6g).

### Special requests:

- Upon request and for special quantities inserts can be supplied with customised lengths.
- Upon request and for special quantities inserts can be supplied in different materials.
- Upon request and for special quantities available in the colours indicated in the chart [page ].



Stock availability as % (🛒)  
90% (●) - 40% (●) - 5% (●)

🛒	art.	D	H	d	A	c	m	h	h3	d3	LM	d1.6g	Q	👤
●	G79732.TM06X2001	32	49	16	12	15	34	1	29	25.5	60	M6	20	37
●	G79732.TM08X2501	32	49	16	12	15	34	1	29	25.5	60	M8	25	43
●	G79732.TM12X2001	32	49	16	12	15	34	1	29	25.5	60	M12	20	59

Customised stud length available for a minimum of 250 pieces.  
LM = Maximum mouldable length.