

# G796

## KNOB WITH THREADED INSERT



### Materials:

Reinforced polyamide.  
Resistant to oils and greases.

### Surface finish:

Satin.

### Colour:

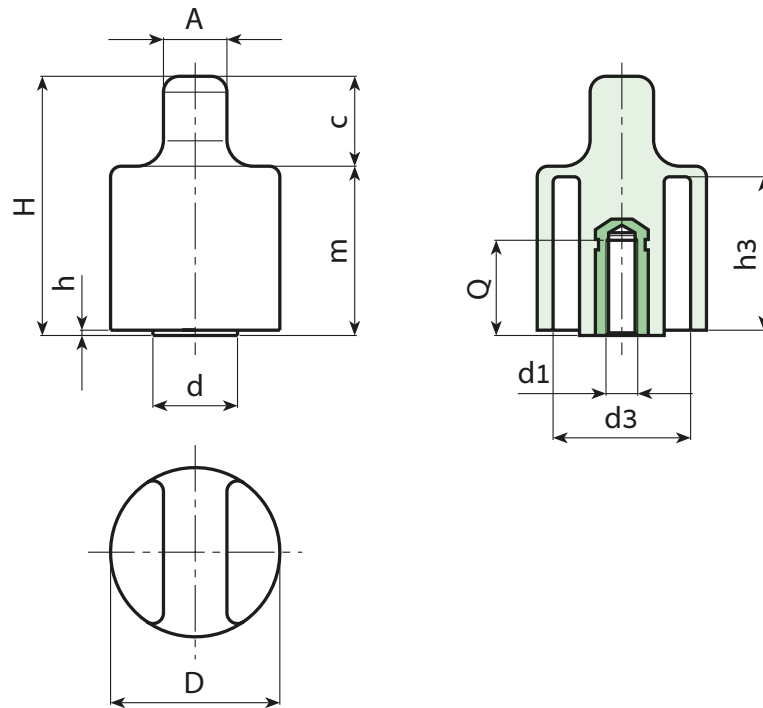
Black (RAL 9011).

### Inserts:

Brass insert with female threaded hole (thread tolerance 6H).

### Special requests:

- Upon request and for special quantities inserts can be supplied in different materials.
- Upon request and for special quantities available in the colours indicated in the chart [page].



Stock availability as % (🛒)  
90% (●) - 40% (●) - 5% (●)

🛒	art.	D	H	d	A	c	m	h	h3	d3	d1 <sub>6H</sub>	Q	g
●	G79632.TM0601	32	49	16	12	15	34	1	29	25.5	M6	16	33
●	G79632.TM0801	32	49	16	12	15	34	1	29	25.5	M8	14	35
●	G79632.TM1001	32	49	16	12	15	34	1	29	25.5	M10	13	36