

# G795

## KNOB WITH THREADED STUD



### Materials:

Reinforced polyamide.  
Resistant to oils and greases.

### Surface finish:

Satin.

### Colour:

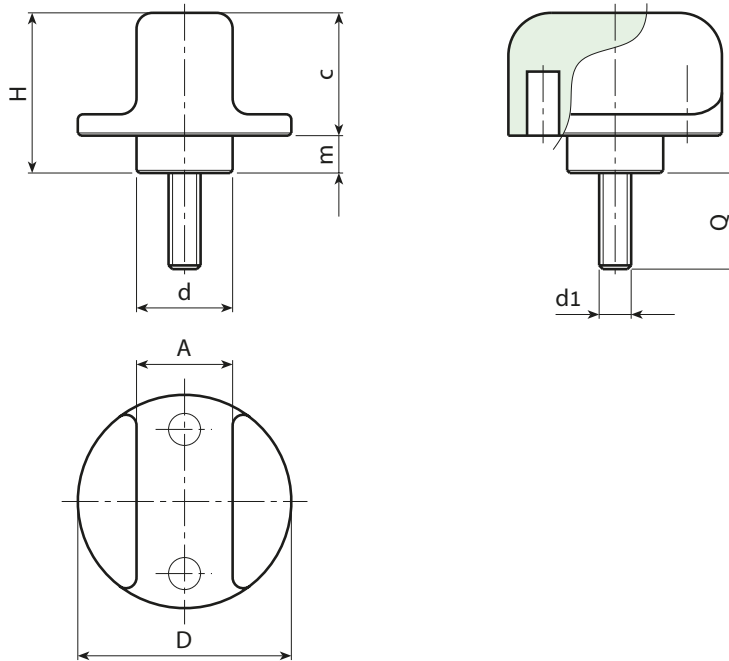
Black (RAL 9011).

### Inserts:

Galvanised steel threaded stud (thread tolerance 6g).

### Special requests:

- Upon request and for special quantities inserts can be supplied with customised lengths.
- Upon request and for special quantities inserts can be supplied in different materials.
- Upon request and for special quantities available in the colours indicated in the chart [page].



Stock availability as % (🛒)  
90% (●) - 40% (●) - 5% (●)

🛒	art.	D	H	d	A	c	m	LM	d1 <sub>6g</sub>	Q	🛒
●	G79525.TM05X1601	25	20	12	10	15	5	40	M5	16	12
●	G79525.TM06X3001	25	20	12	10	15	5	40	M6	30	14
●	G79525.TM08X..01	25	20	12	10	15	5	40	M8	A.R.	25
●	G79540.TM08X..01	40	30	18	18	22	7	50	M8	A.R.	40
●	G79540.TM10X3001	40	30	18	18	22	7	50	M10	30	43
●	G79540.TM12X..01	40	30	18	18	22	7	50	M12	A.R.	67

LM = Maximum mouldable length.

A.R. = Customised stud length available for a minimum of 150 pieces.

Enter the selected stud length in place of the two dots . . in the item code.

Arbel Agencies LTD.



11 Ba'alei Hamelacha st. Qiryat Bialik P.O.B 1095, ZIP 2751311, ISRAEL  
+972(0)48736969 ☎ +972(0)48730708 📠 info@arbel-ltd.com 🌐 www.arbel-ltd.com 🌐

