

G792

CYLINDRICAL HANDWHEEL WITH SMOOTH HOLE INSERT



Materials:

Reinforced polyamide.
Resistant to oils and greases.

Surface finish:

Satin.

Colour:

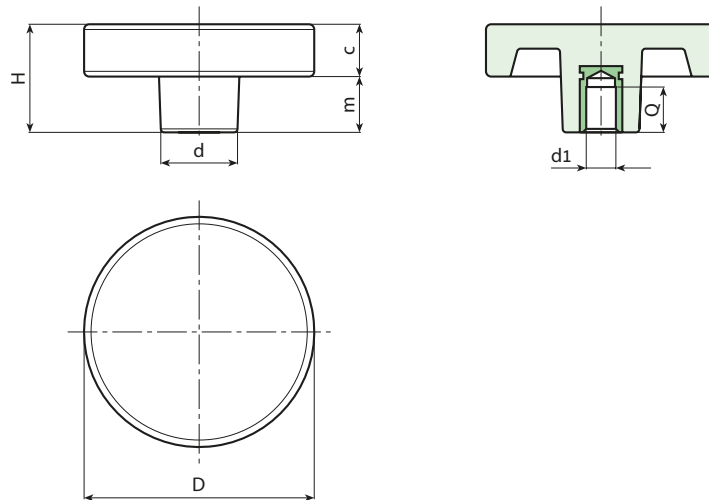
Black (RAL 9011).

Inserts:

Galvanised steel insert with smooth through bore (tolerance H10).

Special requests:

- Upon request and for special quantities inserts can be supplied with custom hole diameter d_1 .
- Upon request and for special quantities inserts can be supplied in different materials/with different coatings.
- Upon request and for special quantities available in the colours indicated in the chart [page].



Stock availability as % (🛒)
90% (●) - 40% (●) - 5% (●)

🛒	art.	D	H	d	c	m	Dm	d1 _{H10}	Q	🛒
●	G79250.TD0601	50	30	22	15	15	12	06	20	62
●	G79266.TD1001	65	30	22	15	15	12	10	20	78

Attention: for a minimum of 200 pieces the diameter d_1 can be produced with the requested dimensions with H10 tolerance.
Dm = Maximum obtainable diameter for subsequent machining (widening)