

G791

CYLINDRICAL HANDWHEEL WITH THREADED INSERT



Materials:

Reinforced polyamide. Resistant to oils and greases.

Surface finish:

Satin.

Colour:

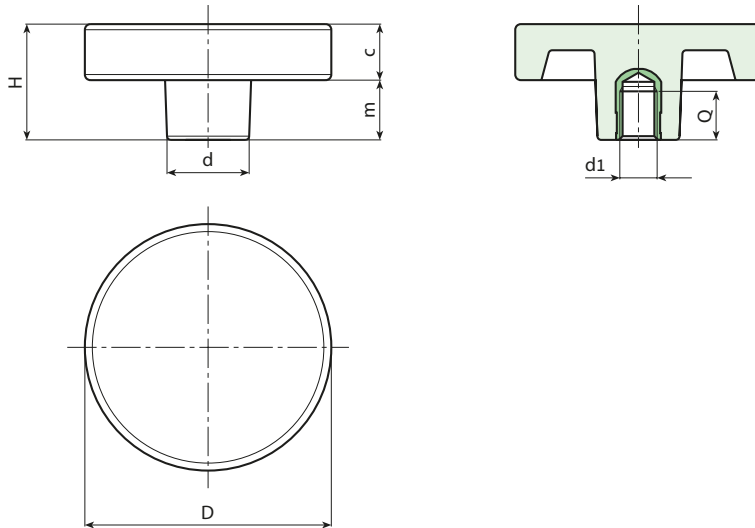
Black (RAL 9011).

Inserts:

Brass insert with female threaded hole (thread tolerance 6H).

Special requests:

- Upon request and for special quantities inserts can be supplied in different materials.
- Upon request and for special quantities available in the colours indicated in the chart [page].



Stock availability as % (🛒)
90% (●) - 40% (●) - 5% (●)

🛒	art.	D	H	d	c	m	d1 ^{6H}	Q	🛒
●	G79136.TM0601	36	17	18	16	1	M6	10	18
●	G79136.TM0801	36	17	18	16	1	M8	15	18
●	G79136.TM1001	36	17	18	16	1	M10	14	19
●	G79150.TM0801	50	30	22	15	15	M8	15	35
●	G79150.TM1001	50	30	22	15	15	M10	14	36
●	G79150.TM1201	50	30	22	15	15	M12	18	40
●	G79166.TM0801	66	30	22	15	15	M8	15	52
●	G79166.TM1001	66	30	22	15	15	M10	14	55
●	G79166.TM1201	66	30	22	15	15	M12	18	58
●	G79166.TM1401	66	30	22	15	15	M14	19	60