

G747



4-LOBE HANDWHEEL WITH CAP AND THREADED STUD

Materials:

Reinforced polyamide. Resistant to oils and greases.

Surface finish:

Satin.

Colour:

Black (RAL 9011).

Central cap:

Grey polyamide (RAL 7035 code 13).

Alternative cap colours:

Orange (RAL 2004 code 02).
 Blue (RAL 5015 code 07).
 Yellow (RAL 1021 code 10).
 Green (RAL 6024 code 17).
 Red (RAL 3000 code 16).
 Black (RAL 9011 code 01).

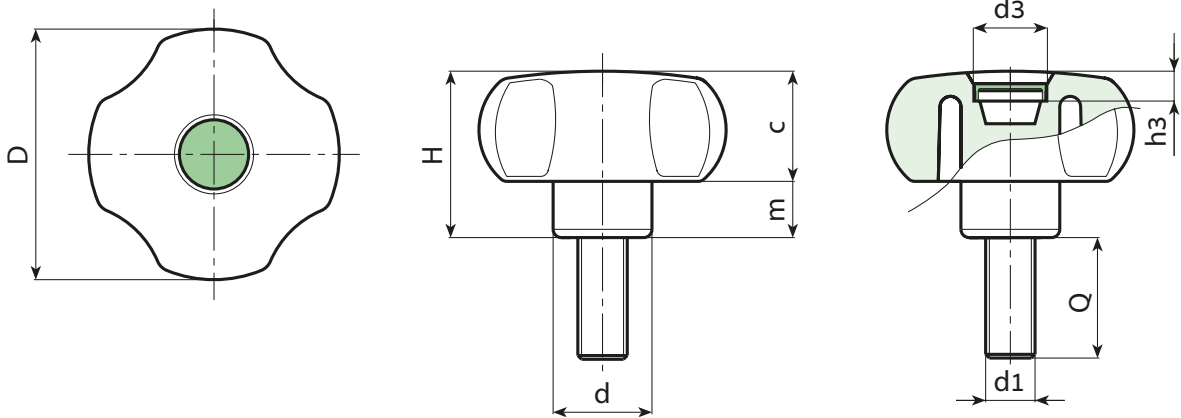


Inserts:

Galvanised steel threaded stud (thread tolerance 6g).

Special requests:

- Upon request and for special quantities inserts can be supplied with customised lengths.
- Upon request and for special quantities inserts can be supplied in different materials.
- Upon request and for special quantities available in the colours indicated in the chart [page].



Stock availability as % (🛒)
 90% (●) - 40% (●) - 5% (●)

🛒	art.	D	H	d	c	m	d3	h3	LM	d16H	Q	📦
●	G74740.TM06X..01	40.5	29.5	15.5	18.5	11	20	7.5	100	M6	A.R.	-
●	G74740.TM08X..01	40.5	29.5	15	18.5	11	20	7.5	100	M8	A.R.	-
●	G74740.TM10X..01	40.5	29.5	17.5	18.5	11	20	7.5	100	M10	A.R.	-
●	G74740.TM12X..01	40.5	29.5	21	18.5	11	20	7.5	100	M12	A.R.	-
●	G74750.TM06X..01	49	32	20.5	21.5	11	20	7.5	120	M6	A.R.	-
●	G74750.TM08X..01	49	32	20.5	21.5	11	20	7.5	120	M8	A.R.	-
●	G74750.TM10X..01	49	32	20.5	21.5	11	20	7.5	120	M10	A.R.	-
●	G74750.TM12X..01	49	32	20.5	21.5	11	20	7.5	120	M12	A.R.	-
●	G74760.TM08X..01	59	40	23	25	15	22	7.5	120	M8	A.R.	-
●	G74760.TM10X..01	59	40	23	25	15	22	7.5	120	M10	A.R.	-
●	G74760.TM12X..01	59	40	23	25	15	22	7.5	120	M12	A.R.	-
●	G74760.TM14X..01	59	40	23	25	15	22	7.5	120	M14	A.R.	-

LM = Maximum mouldable length.

A.R. = Customised stud length available for a minimum of 150 pieces.

Enter the selected stud length in place of the two dots . in the item code.



Arbel Agencies LTD.

11 Ba'alei Hamelacha st. Qiryat Bialik P.O.B 1095, ZIP 2751311, ISRAEL
 +972(0)48736969 ☎ +972(0)48730708 📠 info@arbel-ltd.com 📧 www.arbel-ltd.com 🌐

