

G734



4-LOBE HANDWHEEL WITH ELONGATED HUB AND THREADED INSERT

Materials:

Reinforced polyamide. Resistant to oils and greases.

Surface finish:

Satin.

Colour:

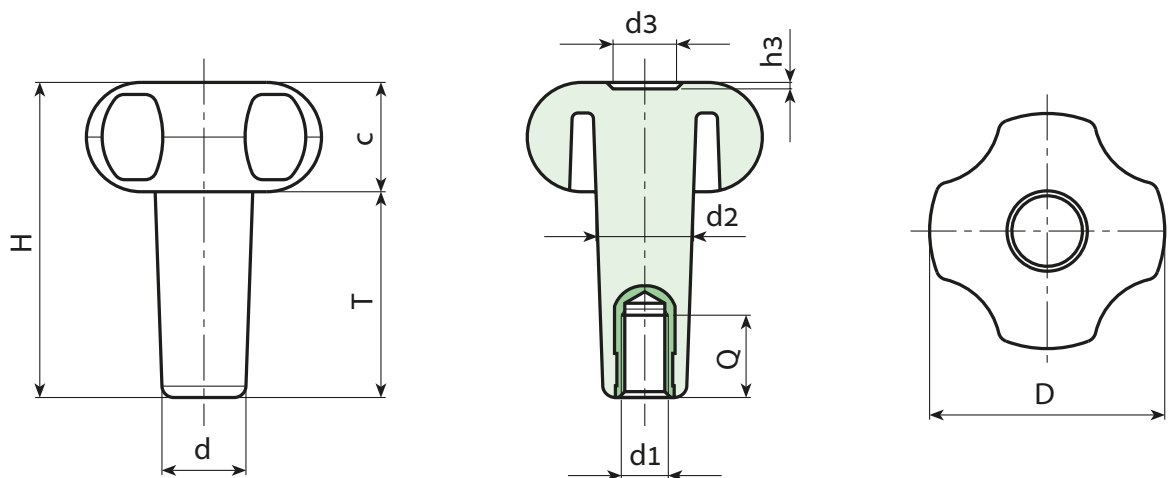
Black (RAL 9011).

Inserts:

Brass insert with female threaded hole (thread tolerance 6H).

Special requests:

- Upon request and for special quantities inserts can be supplied in different materials.
- Upon request and for special quantities handwheels can be supplied with custom hubs.



Stock availability as % (🛒)
90% (●) - 40% (●) - 5% (●)

| 🛒 | art. | D | H | T | d | c | d2 | d3 | h3 | d1 _{6H} | Q | 🛒 |
|---|-----------------|----|------|------|------|----|------|----|-----|------------------|----|-----|
| ● | G73430.T25M0601 | 30 | 37.5 | 23.5 | 13.5 | 14 | 14.5 | 12 | 2 | M6 | 10 | 15 |
| ● | G73430.T35M0601 | 30 | 47 | 33.5 | 13.5 | 14 | 15 | 12 | 2 | M6 | 16 | 16 |
| ● | G73430.T35M0801 | 30 | 47 | 33.5 | 13.5 | 14 | 15 | 12 | 2 | M8 | 21 | 17 |
| ● | G73440.T35M1001 | 41 | 54 | 35 | 16.5 | 19 | 17 | 12 | 3 | M10 | 15 | 30 |
| ● | G73440.T66M0601 | 41 | 85 | 66 | 16.5 | 19 | 18 | 12 | 3 | M6 | 18 | 35 |
| ● | G73450.T40M0801 | 52 | 61 | 39 | 17.5 | 22 | 19 | 14 | 2.5 | M8 | 15 | 47 |
| ● | G73450.T40M1001 | 52 | 61 | 39 | 17.5 | 22 | 19 | 14 | 2.5 | M10 | 15 | 49 |
| ● | G73450.T50M0801 | 52 | 71 | 49 | 18 | 22 | 20.5 | 14 | 2.5 | M8 | 15 | 55 |
| ● | G73450.T50M1001 | 52 | 71 | 49 | 18 | 22 | 20.5 | 14 | 2.5 | M10 | 15 | 56 |
| ● | G73450.T60M1001 | 52 | 80 | 58 | 18 | 22 | 21 | 14 | 2.5 | M10 | 15 | 62 |
| ● | G73460.T60M0801 | 59 | 83 | 58 | 23 | 25 | 24 | 24 | 4 | M8 | 21 | 91 |
| ● | G73460.T60M1001 | 59 | 83 | 58 | 23 | 25 | 24 | 24 | 4 | M10 | 15 | 91 |
| ● | G73460.T60M1201 | 59 | 83 | 58 | 23 | 25 | 24 | 24 | 4 | M12 | 21 | 96 |
| ● | G73460.T80M0801 | 59 | 103 | 78 | 23 | 25 | 24 | 24 | 4 | M8 | 21 | 105 |
| ● | G73460.T80M1001 | 59 | 103 | 78 | 23 | 25 | 24 | 24 | 4 | M10 | 15 | 104 |
| ● | G73460.T80M1201 | 59 | 103 | 78 | 23 | 25 | 24 | 24 | 4 | M12 | 21 | 107 |

Arbel Agencies LTD.



11 Ba'alei Hamelacha st. Qiryat Bialik P.O.B 1095, ZIP 2751311, ISRAEL
+972(0)48736969 ☎ +972(0)48730708 📠 info@arbel-ltd.com 📧 www.arbel-ltd.com 🌐

