

# G732

## 4-LOBE HANDWHEEL WITH THREADED STUD



### Materials:

Reinforced polyamide. Resistant to oils and greases.

### Surface finish:

Satin.

### Colour:

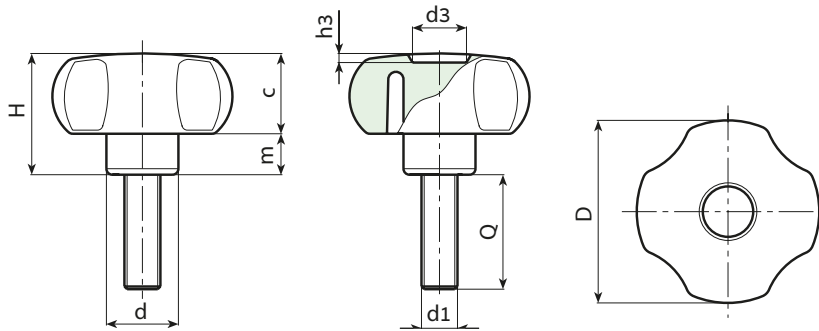
Black (RAL 9011).

### Inserts:

Galvanised steel threaded stud (thread tolerance 6g).

### Special requests:

- Upon request and for special quantities inserts can be supplied with customised lengths.
- Upon request and for special quantities inserts can be supplied in different materials.
- Upon request and for special quantities available in the colours indicated in the chart [page ].



Stock availability as % (🛒)  
90% (●) - 40% (●) - 5% (●)

| art.             | D    | H    | d    | c    | m   | d3   | h3  | LM  | d1 <sub>6g</sub> | Q                 | 📦                 |
|------------------|------|------|------|------|-----|------|-----|-----|------------------|-------------------|-------------------|
| G73220.TM04X..01 | 21   | 14   | 11   | 8.5  | 5.5 | 8    | 1.5 | 50  | M4               | 10-16-20          | 4-4,5-5           |
| G73220.TM05X..01 | 21   | 14   | 11   | 8.5  | 5.5 | 8    | 1.5 | 50  | M5               | 10-16-20-30-50    | 6-6,5-7-8-10      |
| G73220.TM06X..01 | 21   | 14   | 11   | 8.5  | 5.5 | 8    | 1.5 | 50  | M6               | 10-16-20-30-40    | 6,5-7,5-8-9,5-11  |
| G73225.TM04X..01 | 26   | 16   | 12   | 10   | 6   | 10   | 1.5 | 95  | M4               | A.R.              | -                 |
| G73225.TM05X..01 | 26   | 16   | 12   | 10   | 6   | 10   | 1.5 | 95  | M5               | 10-16-20-25       | 8-8,5-9-9,5       |
| G73225.TM06X..01 | 26   | 16   | 12   | 10   | 6   | 10   | 1.5 | 95  | M6               | 10-16-20-25-30    | 10-11-13-14-15    |
| G73225.TM08X..01 | 26   | 16   | 12   | 10   | 6   | 10   | 1.5 | 90  | M8               | 16-20-30-40       | 14-16-20-24       |
| G73230.TM05X..01 | 30   | 23   | 15   | 13.5 | 9.5 | 12   | 2   | 90  | M5               | 20-30             | 13-14             |
| G73230.TM06X..01 | 30   | 23   | 15   | 13.5 | 9.5 | 12   | 2   | 90  | M6               | 10-16-20-30-40-50 | 14-15-16-18-20-22 |
| G73230.TM08X..01 | 30   | 23   | 15   | 13.5 | 9.5 | 12   | 2   | 90  | M8               | 16-20-30-40-50    | 20-22-25-28-31    |
| G73230.TM10X..01 | 30   | 23   | 15   | 13.5 | 9.5 | 12   | 2   | 90  | M10              | 20-50             | 25-43             |
| G73240.TM06X..01 | 40.5 | 29.5 | 15.5 | 18.5 | 11  | 12   | 3   | 100 | M6               | 10-16-20-30-40    | 23-24-26-28-30    |
| G73240.TM08X..01 | 40.5 | 29.5 | 15   | 18.5 | 11  | 12   | 3   | 100 | M8               | 16-20-30-40-50    | 28-31-34-37-40    |
| G73240.TM10X..01 | 40.5 | 29.5 | 17.5 | 18.5 | 11  | 12   | 3   | 100 | M10              | 20-30             | 38-43             |
| G73240.TM12X..01 | 40.5 | 29.5 | 21   | 18.5 | 11  | 12   | 3   | 100 | M12              | A.R.              | -                 |
| G73250.TM06X2001 | 49   | 32   | 20.5 | 21.5 | 11  | 14.5 | 2.5 | 120 | M6               | 20                | 43                |
| G73250.TM08X..01 | 49   | 32   | 20.5 | 21.5 | 11  | 14.5 | 2.5 | 120 | M8               | 16-20-30-40-50-60 | 49-51-54-57-60-64 |
| G73250.TM10X..01 | 49   | 32   | 20.5 | 21.5 | 11  | 14.5 | 2.5 | 120 | M10              | 15-20-30-40-50-60 | 55-58-63-68-72-77 |
| G73250.TM12X..01 | 49   | 32   | 20.5 | 21.5 | 11  | 14.5 | 2.5 | 120 | M12              | 30-50             | 77-90             |
| G73260.TM08X..01 | 59   | 40   | 23   | 25   | 15  | 24   | 4   | 120 | M8               | 16-20-30-40-50    | 81                |
| G73260.TM10X..01 | 59   | 40   | 23   | 25   | 15  | 24   | 4   | 120 | M10              | 20-30-60          | 79-84-100         |
| G73260.TM12X..01 | 59   | 40   | 23   | 25   | 15  | 24   | 4   | 120 | M12              | 25-30-40-50-60    | 94-97-104-111-119 |
| G73260.TM14X..01 | 59   | 40   | 23   | 25   | 15  | 24   | 4   | 120 | M14              | A.R.              | -                 |
| G73280.TM10X..01 | 79   | 41   | 30   | 24   | 17  | 21   | 3   | 80  | M10              | A.R.              | -                 |
| G73280.TM12X..01 | 79   | 41   | 30   | 24   | 17  | 21   | 3   | 80  | M12              | 25-45-50-60       | 115-132-135-142   |
| G73280.TM14X..01 | 79   | 41   | 30   | 24   | 17  | 21   | 3   | 80  | M14              | A.R.              | -                 |
| G73280.TM16X..01 | 79   | 41   | 30   | 24   | 17  | 21   | 3   | 80  | M16              | A.R.              | -                 |

LM = Maximum mouldable length.

Customised stud length available for a minimum of 100 pieces.

Enter the selected stud length in place of the two dots . . in the item code.

Arbel Agencies LTD.



11 Ba'alei Hamelacha st. Qiryat Bialik P.O.B 1095, ZIP 2751311, ISRAEL  
+972(0)48736969 ☎ +972(0)48730708 📠 info@arbel-ltd.com 📧 www.arbel-ltd.com 🌐

