

# G730

## 4-LOBE HANDWHEEL WITH THREADED INSERT



### Materials:

Reinforced polyamide. Resistant to oils and greases.

### Surface finish:

Satin.

### Colour:

Black (RAL 9011).

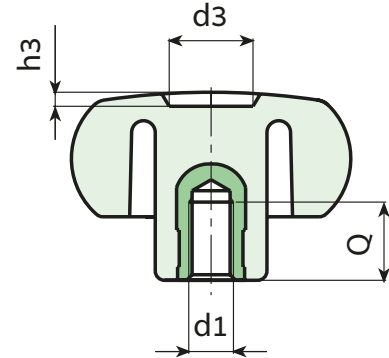
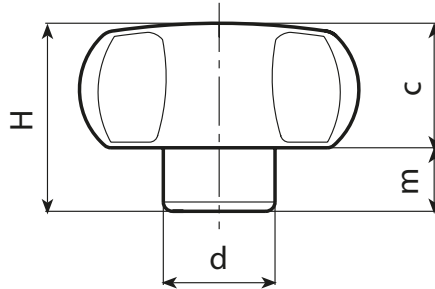
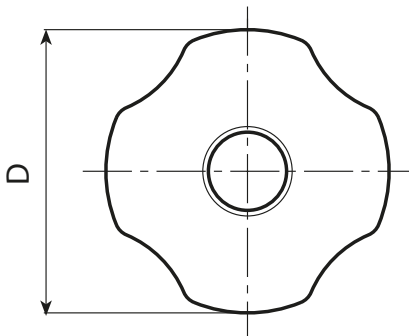
### Inserts:

Brass insert with female threaded hole (thread tolerance 6H).

(\*) Galvanised steel insert with female threaded hole (thread tolerance 6H).

### Special requests:

- Upon request and for special quantities inserts can be supplied in different materials.
- Upon request and for special quantities available in the colours indicated in the chart [page ].



Stock availability as % (🛒)  
90% (●) -40% (●) -5% (●)

🛒	art.	D	H	d	c	m	d3	h3	d1 <sub>6H</sub>	Q	📦
●	G73020.TM0401	21	14	11	8.5	5.5	8	1.5	M4	6	5
●	G73020.TM0501	21	14	11	8.5	5.5	8	1.5	M5	6	5
●	G73020.TM0601	21	14	11	8.5	5.5	8	1.5	M6	6	5
●	G73025.TM0401	26	16	12	10	6	10	1.5	M8	7	6
●	G73025.TM0501	26	16	12	10	6	10	1.5	M5	7	6
●	G73025.TM0601	26	16	12	10	6	10	1.5	M6	7	7
●	G73025.TM0801	26	16	12	10	6	10	1.5	M8	7	8
●	G73030.TM0501	30	23	15	13.5	9.5	12	2	M5	13	12
●	G73030.TM0601	30	23	15	13.5	9.5	12	2	M6	10	12
●	G73030.TM0801	30	23	15	13.5	9.5	12	2	M8	16	14
●	G73030.TM1001	30	23	15	13.5	9.5	12	2	M10	16	14
●	G73040.TM0501	40.5	29.5	17	18.5	11	12	3	M5	13	21
●	G73040.TM0601	40.5	29.5	17	18.5	11	12	3	M6	10	21
●	G73040.TM0801	40.5	29.5	17	18.5	11	12	3	M8	14	22
●	G73040.TM1001	40.5	29.5	17	18.5	11	12	3	M10	13	26
●	G73040.TM1201	40.5	29.5	17	18.5	11	12	3	M12	11	30
●	G73050.TM0601	49	32	20.5	21.5	11	14.5	2.5	M6	10	35
●	G73050.TM0801	49	32	20.5	21.5	11	14.5	2.5	M8	14	42
●	G73050.TM1001	49	32	20.5	21.5	11	14.5	2.5	M10	13	43
●	G73050.TM1201	49	32	20.5	21.5	11	14.5	2.5	M12	17	48
●	G73060.TM0801	59	40	23	25	15	24	4	M8	15	60
●	G73060.TM1001	59	40	23	25	15	24	4	M10	14	62
●	G73060.TM1201	59	40	23	25	15	24	4	M12	18	67
●	G73060.TM1401	59	40	23	25	15	24	4	M14	19	70
●	G73060.TM1601	59	40	23	25	15	24	4	(*)M16	17	82
●	G73080.TM1001	79	41	30	24	17	21	3	M10	14	88
●	G73080.TM1201	79	41	30	24	17	21	3	M12	16	88
●	G73080.TM1401	79	41	30	24	17	21	3	M14	19	97
●	G73080.TM1601	79	41	30	24	17	21	3	(*)M16	17	109
●	G73080.TM2001	79	41	30	24	17	21	3	(*)M20	16	115

Arbel Agencies LTD.



11 Ba'alei Hamelacha st. Qiryat Bialik P.O.B 1095, ZIP 2751311, ISRAEL  
+972(0)48736969 ☎ +972(0)48730708 📠 info@arbel-ltd.com 📧 www.arbel-ltd.com 🌐

