

# G210

## PUSH-FIT INDICATOR KNOB WITH HALFMOON HOLE



**Materials:**

Reinforced copolymer polypropylene.

**Surface finish:**

Satin.

**Colour:**

Black (RAL 9011).

**Pointer Colour:**

White line obtained by pad printing.

**Hole:**

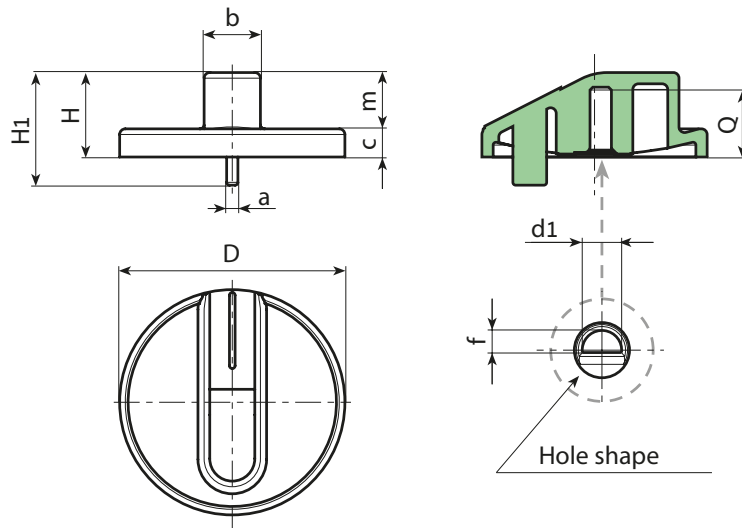
Halfmoon-shaped blind smooth hole obtained by moulding.

**Assembly:**

Push-fit.

**Special requests:**

- None.



Stock availability as % (🛒)  
90% (●) - 40% (●) - 5% (●)

🛒	art.	D	H	H1	a	b	c	m	f	d1	Q	🛒
●	G21040.TG0601Z1	39.5	15	20	2	9.5	5	10	3.8	6	12	5