

G130

"EUROMODEL" KNURLED KNOB WITH CAP



Materials:

Reinforced polyamide. Resistant to oils and greases.

Surface finish:

Satin.

Handwheel colour:

Black (RAL 9011).

Central cap:

Central cap in grey polyamide (RAL 7035 code 13) with black polyamide support ring. Push fit assembling. Removable.

Alternative cap colours:

Orange (RAL 2004 code 02).
 Blue (RAL 5015 code 07).
 Yellow (RAL 1021 code 10).
 Red (RAL 3000 code 16).
 Green (RAL 6024 code 17).
 Black (RAL 9011 code 01).

Inserts:

Version TD:

Galvanised steel insert with smooth through bore (tolerance H10).

Version TM:

Galvanised steel insert with threaded through hole (tolerance hole 6H).

Fixing hole D2:

Version TD:

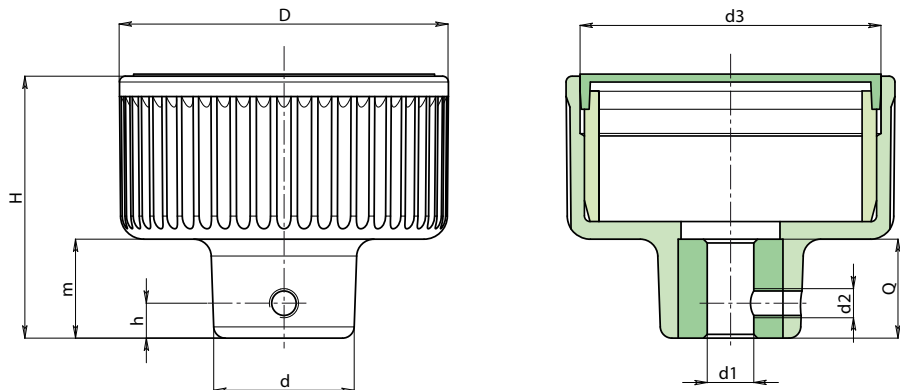
Fixing threaded hole.

Version TM:

None.

Special requests:

- Upon request and for special quantities inserts can be supplied with custom hole diameter d1.
- Upon request and for special quantities inserts can be supplied in different materials.
- Upon request and for special quantities available in the colours indicated in the chart [page].



Version TD: with smooth through hole.



Stock availability as % (🛒)
 90% (●) -40% (●) -5% (●)

| 🛒 | art. | D | d | H | m | h | d2 | d3 | dm | d1 _{H10} | Q | g |
|---|------------------|----|----|----|----|---|----|----|----|-------------------|----|-----|
| ● | G130057.TD080113 | 57 | 24 | 46 | 17 | 6 | M5 | 52 | 12 | 8 | 16 | 105 |
| ● | G130072.TD080113 | 72 | 28 | 53 | 21 | 6 | M5 | 67 | 12 | 8 | 20 | 165 |
| ● | G130094.TD100113 | 94 | 36 | 58 | 24 | 6 | M5 | 87 | 15 | 10 | 24 | 376 |

Attention: for a minimum of 50 pieces the diameter d1 can be produced with the requested dimensions (H10 tolerance)
 Dm = Maximum obtainable diameter for subsequent machining (widening).

Version TM with threaded through hole

| 🛒 | art. | D | d | H | m | h | d2 | d3 | dm | d1 _{6H} | Q | g |
|---|------------------|----|----|----|----|---|----|----|----|------------------|----|-----|
| ● | G130057.TM080113 | 57 | 24 | 46 | 17 | - | - | 52 | 12 | M8 | 16 | 105 |
| ● | G130072.TM100113 | 72 | 28 | 53 | 21 | - | - | 67 | 12 | M10 | 20 | 165 |
| ● | G130094.TM120113 | 94 | 36 | 58 | 24 | - | - | 87 | 15 | M12 | 24 | 376 |

Attention: for a minimum of 50 pieces the diameter d1 can be produced with the requested dimensions.

Arbel Agencies LTD.



11 Ba'alei Hamelacha st. Qiryat Bialik P.O.B 1095, ZIP 2751311, ISRAEL
 +972(0)48736969 ☎ +972(0)48730708 📠 info@arbel-ltd.com 📧 www.arbel-ltd.com 🌐

