

F663

F763



3-LOBE SOLID HANDWHEEL WITH THREADED THROUGH-HOLE INSERT

Materials:

Reinforced polyamide. Resistant to oils and greases.

Surface finish:

Satin.

Colour:

Black (RAL 9011).

Inserts:

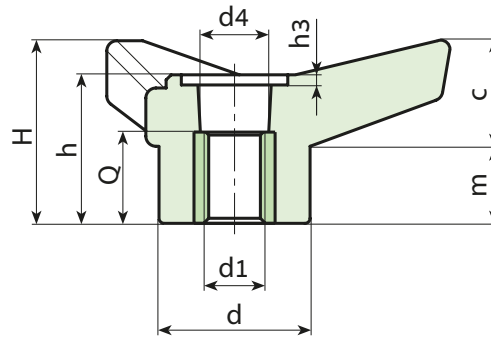
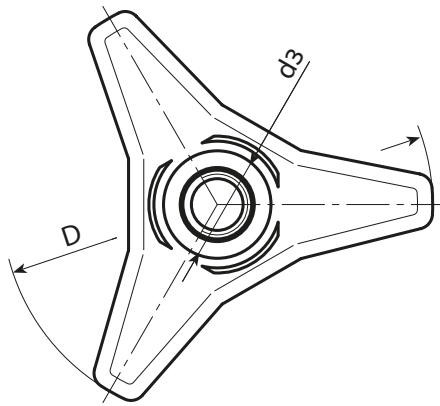
Brass insert with threaded through hole (thread tolerance 6H).
 (*) Galvanised steel insert with threaded through hole (thread tolerance 6H).

Hub:

Solid Hub

Special requests:

- Upon request and for special quantities inserts can be supplied in different materials.
- Upon request and for special quantities available in the colours indicated in the chart on page .



Version F763: with lightweight hub

Stock availability as % (🛒)
 90% (●) - 40% (●) - 5% (●)

🛒	art.	D	H	h	d	c	m	d2	d3	d4	h3	d1 _{6H}	Q	g
●	F763085.TM0801	85	37	30.5	30	21	16	18	21	16	2	M8	13.5	50
●	F763085.TM1001	85	37	30.5	30	21	16	18	21	16	2	M10	13.5	52
●	F763085.TM1201	85	37	30.5	30	21	16	18	21	16	2	M12	13.5	52
●	F763105.TM1001	105	46	37.5	35	26	19	20	25	23.5	2	M10	23	88
●	F763105.TM1201	105	46	37.5	35	26	19	20	25	23.5	2	M12	23	88
●	F763105.TM1401	105	46	37.5	35	26	19	20	25	23.5	2	M14	21	91
●	F763125.TM1201	125	54	44	42.5	31	23	26	28.5	26	2	M12	31	152
●	F763125.TM1401	125	54	44	42.5	31	23	26	28.5	26	2	M14	31	160

Version F663: with solid hub

🛒	art.	D	H	h	d	c	m	d3	d4	h3	d1 _{6H}	Q	g
●	F663045.TM0601	45	21	18	16	11	10	11	10	1	M6	12.5	11
●	F663045.TM0801	45	21	18	16	11	10	11	10	1	M8	12.5	11
●	F663045.TM1001	45	21	18	16	11	10	11	10	1	M10	12.5	11
●	F663065.TM0801	65	28	23.5	22	16.5	11.5	15.5	13.5	1.5	M8	15.5	25
●	F663065.TM1001	65	28	23.5	22	16.5	11.5	15.5	13.5	1.5	M10	15.5	26
●	F663065.TM1201	65	28	23.5	22	16.5	11.5	15.5	13.5	1.5	M12	15.5	28
●	F663085.TM0801	85	37	30.5	30	21	16	21	16	2	M8	13.5	50
●	F663085.TM1001	85	37	30.5	30	21	16	21	16	2	M10	13.5	52
●	F663085.TM1201	85	37	30.5	30	21	16	21	16	2	M12	13.5	52
●	F663105.TM1001	105	46	37.5	35	26	19	25	23.5	2	M10	23	88
●	F663105.TM1201	105	46	37.5	35	26	19	25	23.5	2	M12	23	88
●	F663105.TM1401	105	46	37.5	35	26	19	25	23.5	2	M14	21	91
●	F663105.TM1601	105	46	37.5	35	26	19	25	23.5	2	(*)M16	21	108
●	F663125.TM1201	125	54	44	42.5	31	23	28.5	26	2	M12	31	152
●	F663125.TM1401	125	54	44	42.5	31	23	28.5	26	2	M14	31	160
●	F663125.TM1601	125	54	44	42.5	31	23	28.5	26	2	(*)M16	31	180
●	F663125.TM1801	125	54	44	42.5	31	23	28.5	26	2	(*)M18	31	186