

F661

F761



3-LOBE SOLID HANDWHEEL WITH FEMALE THREADED INSERT

Materials:

Reinforced polyamide. Resistant to oils and greases.

Surface finish:

Satin.

Colour:

Black (RAL 9011).

Inserts:

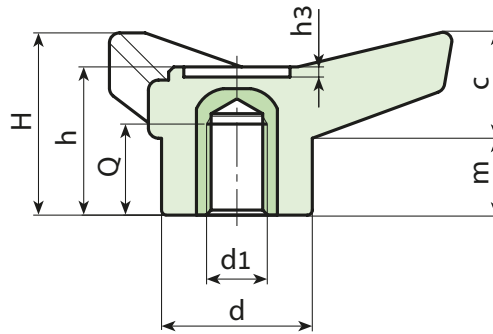
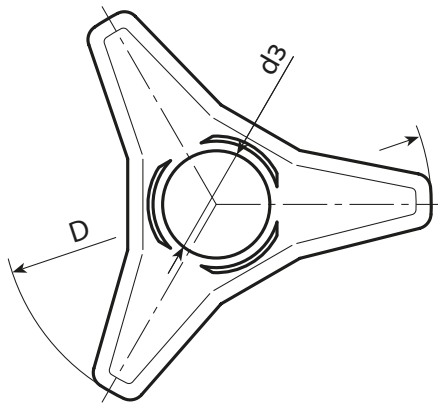
Brass insert with female threaded hole (thread tolerance 6H).
(*) Galvanised steel insert with female threaded hole (thread tolerance 6H).

Hub:

F661= Solid Hub
F761= Lightweight Hub

Special requests:

- Upon request and for special quantities inserts can be supplied in different materials.
- Upon request and for special quantities available in the colours indicated in the chart on page .



Version F761: with lightweight hub

Stock availability as % (🛒)
90% (●) - 40% (●) - 5% (●)

🛒	art.	D	H	h	d	c	m	d2	d3	h3	d1 _{6H}	Q	g
●	F761085.TM0801	85	37	30.5	30	21	16	18	21	2	M8	15	53
●	F761085.TM1001	85	37	30.5	30	21	16	18	21	2	M10	14	55
●	F761085.TM1201	85	37	30.5	30	21	16	18	21	2	M12	19	60
●	F761105.TM0801	105	46	37.5	35	26	19	20	25	2	M8	15	89
●	F761105.TM1001	105	46	37.5	35	26	19	20	25	2	M10	17	90
●	F761105.TM1201	105	46	37.5	35	26	19	20	25	2	M12	17	97
●	F761105.TM1401	105	46	37.5	35	26	19	20	25	2	M14	19	98
●	F761125.TM1201	125	54	44	42.5	31	23	26	28.5	2	M12	18	160
●	F761125.TM1401	125	54	44	42.5	31	23	26	28.5	2	M14	18	165

Version F661: with solid hub

🛒	art.	D	H	h	d	c	m	d3	h3	d1 _{6H}	Q	g
●	F661045.TM0601	45	21	18	16	11	10	11	1	M6	9	10
●	F661045.TM0801	45	21	18	16	11	10	11	1	M8	11	14
●	F661045.TM1001	45	21	18	16	11	10	11	1	M10	10	15
●	F661065.TM0801	65	28	23.5	22	16.5	11.5	15.5	1.5	M8	11	28
●	F661065.TM1001	65	28	23.5	22	16.5	11.5	15.5	1.5	M10	11	29
●	F661065.TM1201	65	28	23.5	22	16.5	11.5	15.5	1.5	M12	13	31
●	F661085.TM0801	85	37	30.5	30	21	16	21	2	M8	15	53
●	F661085.TM1001	85	37	30.5	30	21	16	21	2	M10	14	55
●	F661085.TM1201	85	37	30.5	30	21	16	21	2	M12	19	60
●	F661105.TM0801	105	46	37.5	35	26	19	25	2	M8	15	89
●	F661105.TM1001	105	46	37.5	35	26	19	25	2	M10	17	90
●	F661105.TM1201	105	46	37.5	35	26	19	25	2	M12	17	97
●	F661105.TM1401	105	46	37.5	35	26	19	25	2	M14	19	98
●	F661125.TM1201	125	54	44	42.5	31	23	28.5	2	M12	18	160
●	F661125.TM1401	125	54	44	42.5	31	23	28.5	2	M14	18	165
●	F661125.TM1601	125	54	44	42.5	31	23	28.5	2	(*)M16	21	177
●	F661125.TM1801	125	54	44	42.5	31	23	28.5	2	(*)M18	21	182

Arbel Agencies LTD.



11 Ba'alei Hamelacha st. Qiryat Bialik P.O.B 1095, ZIP 2751311, ISRAEL
+972(0)48736969 ☎ +972(0)48730708 📠 info@arbel-ltd.com 📧 www.arbel-ltd.com 🌐

