

F288



STAR HANDWHEEL WITH STEEL HUB AND THREADED THROUGH HOLE

Materials:

Reinforced polyamide.
Resistant to oils and greases.

Surface finish:

Satin.

Colour:

Black (RAL 9011).

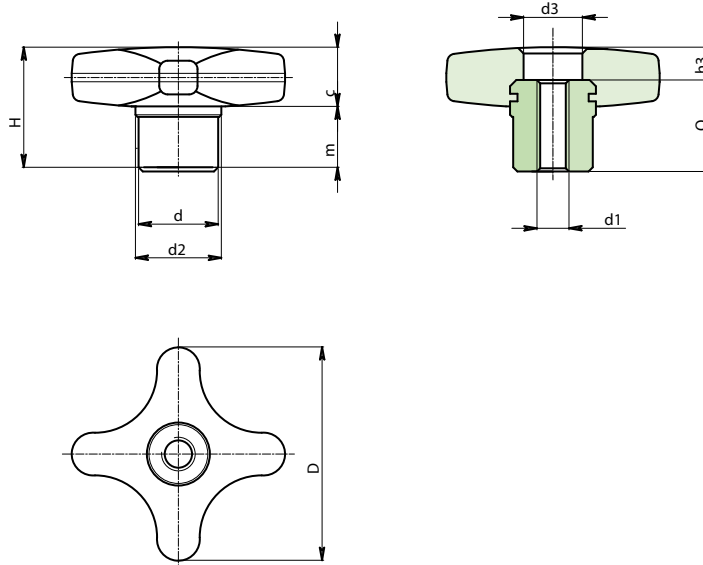
Inserts:

F288:
Galvanised steel insert with threaded through hole (thread tolerance 6H).

F288PIN:
Stainless steel insert with threaded through hole (Aisi 303) (thread tolerance 6H).

Special requests:

- Upon request and for special quantities inserts can be supplied with custom hole diameter d1.
- Upon request and for special quantities available in the colours indicated in the chart (attention: reduced range) [page].



Version F288: Galvanised steel hub.

Stock availability as % (🛒)
90% (●) - 40% (●) - 5% (●)

🛒	Art.	D	d	d2	d3	H	h3	m	c	d1 _{6H}	Q	📦
●	F28832.TM0601	32	13	15	8	22	4	11	11	M6	18	21
●	F28840.TM0801	40	14	16	11	24	6	12	12	M8	18	28
●	F28850.TM1001	50	18	20	14	29	7	15	14	M10	22	49
●	F28860.TM1201	60	20	24	16	34	6	18	16	M12	28	81

Version F288 PIN: Stainless steel hub (Aisi 303).

INOX

🛒	Art.	D	d	d2	d3	H	h3	m	c	d1 _{6H}	Q	📦
●	F28832.TM0601PIN	32	13	15	8	22	4	11	11	M6	18	21
●	F28840.TM0801PIN	40	14	16	11	24	6	12	12	M8	18	28
●	F28850.TM1001PIN	50	18	20	14	29	7	15	14	M10	22	49
●	F28860.TM1201PIN	60	20	24	16	34	6	18	16	M12	28	81