

# F287



## STAR HANDWHEEL WITH STEEL HUB AND SMOOTH BORE

### Materials:

Reinforced polyamide.  
Resistant to oils and greases.

### Surface finish:

Satin.

### Colour:

Black (RAL 9011).

### Inserts:

#### F287:

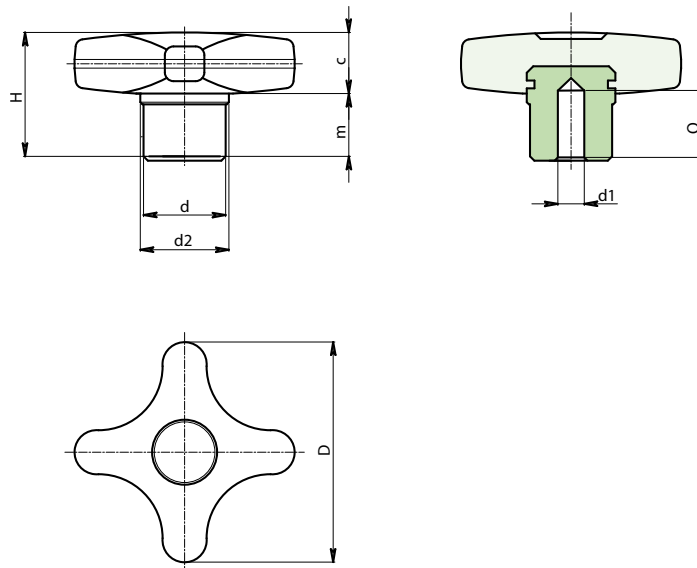
Galvanised steel insert with blind smooth bore (bore tolerance H9).

#### F287CIN:

Galvanised steel insert with blind smooth bore (Aisi 303) (bore tolerance H9).

### Special requests:

- Upon request and for special quantities inserts can be supplied with custom hole diameter d1.
- Upon request and for special quantities available in the colours indicated in the chart (attention: reduced range) [page ].



### Version F287: Galvanised steel hub.

Stock availability as % (🛒)  
90% (●) - 40% (●) - 5% (●)

🛒	Art.	D	d	d2	H	m	c	d1H9	Q	📦
●	F28732.TD0601	32	13	15	22	11	11	6	12	24
●	F28740.TD0801	40	14	16	24	12	12	8	14	35
●	F28750.TD1001	50	18	20	29	15	14	10	16	57
●	F28760.TD1201	60	20	24	34	18	16	12	20	85

### Version F287 CIN: Stainless steel hub (Aisi 303).

INOX

🛒	Art.	D	d	d2	H	m	c	d1H9	Q	📦
●	F28732.TD0601CIN	32	13	15	22	11	11	6	12	24
●	F28740.TD0801CIN	40	14	16	24	12	12	8	14	35
●	F28750.TD1001CIN	50	18	20	29	15	14	10	16	57
●	F28760.TD1201CIN	60	20	24	34	18	16	12	20	85