

F286

STAR HANDWHEEL WITH STEEL HUB AND THREADED HOLE



Materials:

Reinforced polyamide.
Resistant to oils and greases.

Surface finish:

Satin.

Colour:

Black (RAL 9011).

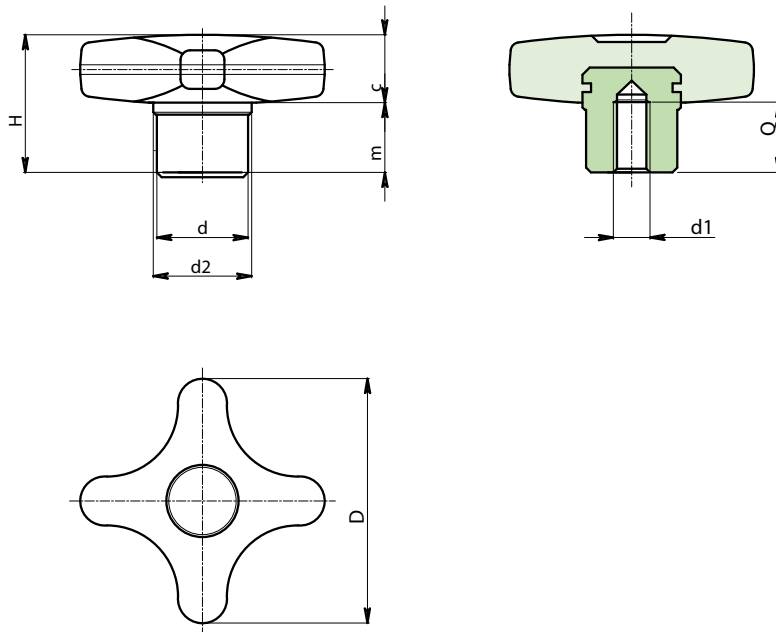
Inserts:

F286:
Galvanised steel insert with female threaded hole (thread tolerance 6H).

F286CIN:
Stainless steel insert with female threaded hole (Aisi 303) (thread tolerance 6H).

Special requests:

- Upon request and for special quantities inserts can be supplied with custom hole diameter d1.
- Upon request and for special quantities available in the colours indicated in the chart on page .



Version F286: Galvanised steel hub.

Stock availability as % (🛒)
90% (●) - 40% (●) - 5% (●)

🛒	Art.	D	d	d2	H	m	c	d1 _{6H}	Q	g
●	F28632.TM0601	32	13	15	22	11	11	M6	12	23
●	F28640.TM0801	40	14	16	24	12	12	M8	14	32
●	F28650.TM1001	50	18	20	29	15	14	M10	16	54
●	F28660.TM1201	60	20	24	34	18	16	M12	20	90

Version F286 CIN: Stainless steel hub (Aisi 303).

INOX

🛒	Art.	D	d	d2	H	m	c	d1 _{6H}	Q	g
●	F28632.TM0601CIN	32	13	15	22	11	11	M6	12	23
●	F28640.TM0801CIN	40	14	16	24	12	12	M8	14	32
●	F28650.TM1001CIN	50	18	20	29	15	14	M10	16	54
●	F28660.TM1201CIN	60	20	24	34	18	16	M12	20	90

Arbel Agencies LTD.



11 Ba'alei Hamelacha st. Qiryat Bialik P.O.B 1095, ZIP 2751311, ISRAEL
+972(0)48736969 ☎ +972(0)48730708 📠 info@arbel-ltd.com 📧 www.arbel-ltd.com 🌐

