

# F277



## 6-LOBE HANDWHEEL WITH STEEL HUB AND THREADED THROUGH HOLE

### Materials:

Reinforced polyamide.  
Resistant to oils and greases.

### Surface finish:

Satin.

### Colour:

Black (RAL 9011).

### Inserts:

#### F277:

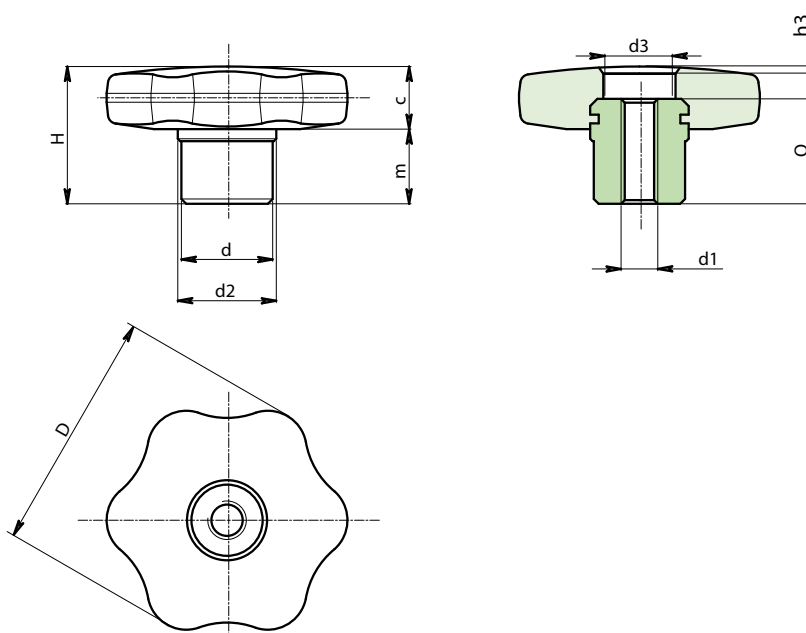
Galvanised steel insert with threaded through hole (thread tolerance 6H).

#### F277CIN:

Stainless steel insert with threaded through hole (Aisi 303) (thread tolerance 6H).

### Special requests:

- Upon request and for special quantities inserts can be supplied with custom hole diameter d1.
- Upon request and for special quantities available in the colours indicated in the chart (attention: reduced range) [page ].



### Version F277: Galvanised steel hub.

Stock availability as % (🛒)  
90% (●) - 40% (●) - 5% (●)

🛒	Art.	D	d	d2	d3	H	h3	m	c	d1 <sub>6H</sub>	Q	g
●	F27730.TM0601	30	13	15	8	22	4	11	11	M6	18	24
●	F27740.TM0801	40	15	17	11	24	6	12	12	M8	18	34
●	F27750.TM1001	50	18	20	13	29	7	15	14	M10	22	59
●	F27760.TM1201	60	20	24	16	34	6	18	16	M12	28	98

### Version F276 CIN: Stainless steel hub (Aisi 303).

INOX

🛒	Art.	D	d	d2	d3	H	h3	m	c	d1 <sub>6H</sub>	Q	g
●	F27730.TM0601PIN	30	13	15	8	22	4	11	11	M6	18	24
●	F27740.TM0801PIN	40	15	17	11	24	6	12	12	M8	18	34
●	F27750.TM1001PIN	50	18	20	13	29	7	15	14	M10	22	59
●	F27760.TM1201PIN	60	20	24	16	34	6	18	16	M12	28	98