

# F204



## SOLID BAKELITE LOBED KNOB WITH INSERT AND THREADED THROUGH HOLE

### Materials:

Phenolic resin.  
Resistant to oils and greases.  
Resistant to high temperatures.

### Surface finish:

Glossy.

### Colour:

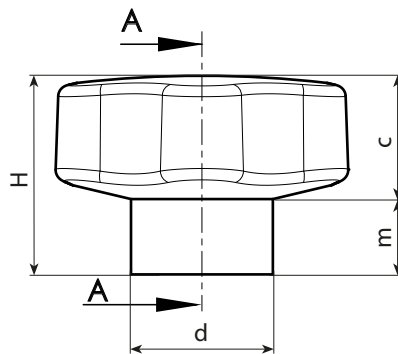
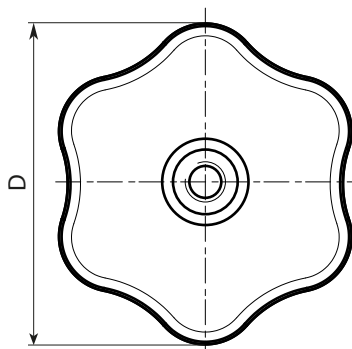
Black (RAL 9011).

### Inserts:

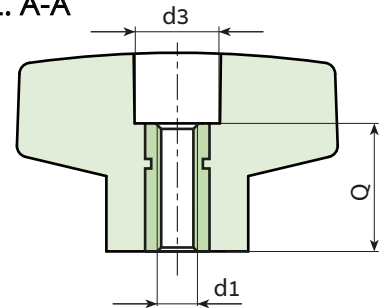
Brass insert with threaded through hole (thread tolerance 6H).

### Special requests:

- None.



SEZ. A-A



Stock availability as % (🛒)  
90% (●) - 40% (●) - 5% (●)

🛒	art.	D	d	H	m	c	d3	d1 <sub>6H</sub>	Q	📦
●	F20440.BM0601	40	21	30	13	17	13	M6	17	27
●	F20440.BM0801	40	21	30	13	17	13	M8	17	26
●	F20440.BM1001	40	21	30	13	17	13	M10	17	24
●	F20460.BM1001	60	28	37	15	22	15	M10	26	88
●	F20460.BM1201	60	28	37	15	22	15	M12	26	85