

F189CIN



SOLID STAR HANDWHEEL WITH STAINLESS STEEL THREADED STUD

INOX

Materials:

Reinforced polyamide.
Resistant to oils and greases.

Surface finish:

Satin.

Colour:

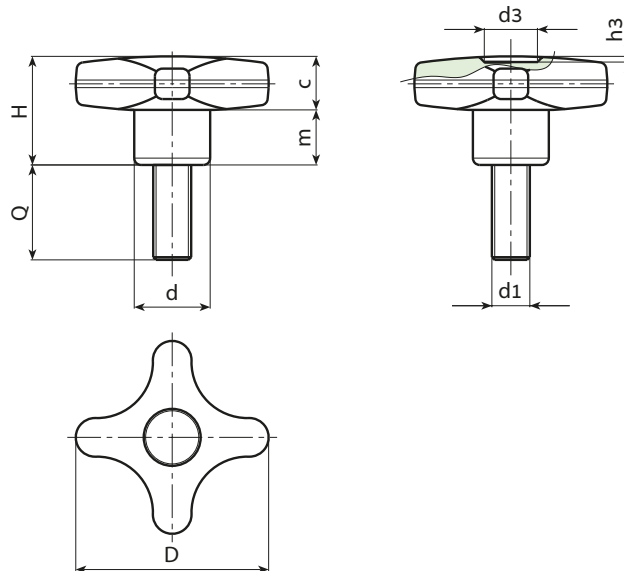
Black (RAL 9011).

Inserts:

Threaded stainless steel stud (Aisi 304) (thread tolerance 6g).

Special Requests:

- Upon request and for special quantities inserts can be supplied with customised lengths.
- Upon request and for special quantities available in the colours indicated in the chart (attention: reduced range) [page].



INOX

Stock availability as % (🛒)
90% (●) - 40% (●) - 5% (●)

Art.	D	H	d	c	m	d3	h3	LM	d1 _{6g}	Q	g
F18932.TM05X..01CIN	32	23	15	11	11	9	1.5	80	M5	20-40	15-17
F18932.TM06X..01CIN	32	23	15	11	11	9	1.5	80	M6	16-20-30	15-16-17
F18932.TM08X..01CIN	32	23	15	11	11	9	1.5	80	M8	16-20-30	19-21-23
F18932.TM10X2001CIN	32	23	15	11	11	9	1.5	80	M10	20	24
F18940.TM06X..01CIN	40	24.5	17	12	12.5	12	1	80	M6	15-20-40	19.5-20-22
F18940.TM08X..01CIN	40	24.5	17	12	12.5	12	1	80	M8	16-20-30-40	22-24-29-33
F18940.TM10X..01CIN	40	24.5	17	12	12.5	12	1	80	M10	A.R.	-
F18950.TM08X3501CIN	50	29	20	14	15	14.5	1.5	80	M8	35	44
F18950.TM10X..01CIN	50	29	20	14	15	14.5	1.5	80	M10	20-30-40	49-55-61
F18950.TM12X..01CIN	50	29	20	14	15	14.5	1.5	80	M12	A.R.	-
F18960.TM08X..01CIN	60	34	24	15.5	18.5	18	1.5	80	M8	A.R.	-
F18960.TM10X5001CIN	60	34	24	15.5	18.5	18	1.5	80	M10	50	72
F18960.TM12X..01CIN	60	34	24	15.5	18.5	18	1.5	80	M12	40-60	91-103
F18960.TM14X..01CIN	60	34	24	15.5	18.5	18	1.5	80	M14	A.R.	-

Enter the selected stud length in place of the two dots . . in the item code.

A.R. = Upon request, for a minimum of 150 pieces.

LM = Maximum mouldable length.