

# F189CAT



## SOLID STAR HANDWHEEL WITH RETAINING CHAIN AND THREADED STUD

### Materials:

Reinforced polyamide.  
Resistant to oils and greases.

### Surface finish:

Satin.

### Colour:

Black (RAL 9011).

### Inserts:

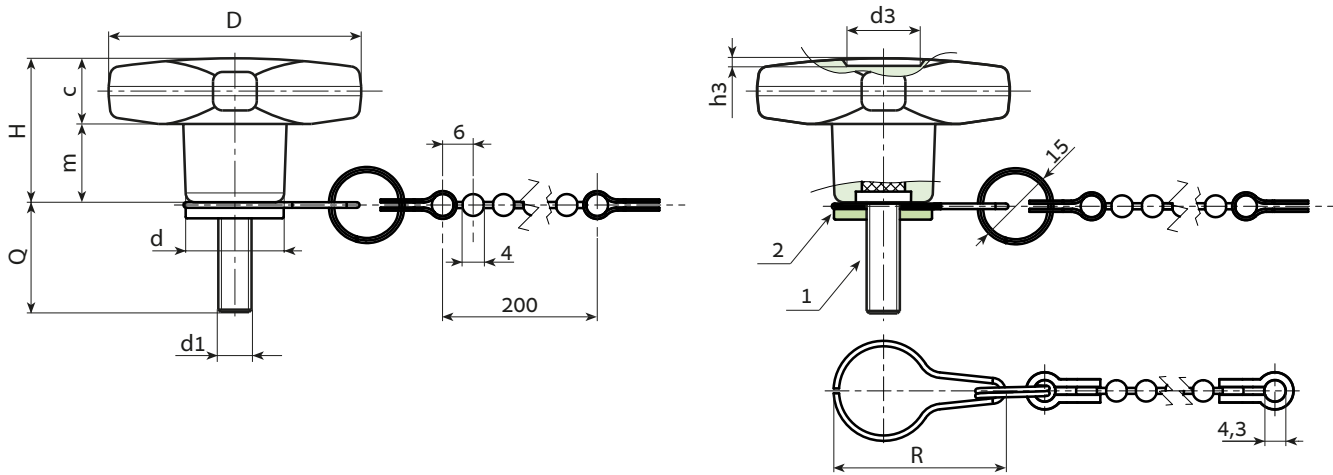
- (1) Galvanised steel threaded stud (thread tolerance 6g).
- (2) Galvanised steel turned ring nut, secured with threadlocker and with groove for retaining hook.

### Chain:

Black acetal (POM) chain. Harmonic stainless steel (Aisi 302) joints, retaining ring and hub hook.

### Special Requests:

- Upon request and for special quantities inserts can be supplied with customised lengths.
- Upon request the chain can be supplied with customised lengths.
- Upon request and for special quantities inserts can be supplied in different materials.
- Upon request and for special quantities available in the colours indicated in the chart (attention: reduced range [page]).



Stock availability as % (🛒)  
90% (●) - 40% (●) - 5% (●)

Art.	D	H	d	c	m	d3	h3	LM	d1 <sub>6g</sub>	Q	g
F18932.TM05X..01CAT	32	23	15	11	11	9	1.5	80	M5	16-20-30	17-18-19
F18932.TM06X..01CAT	32	23	15	11	11	9	1.5	80	M6	16-20-30	18-19-21
F18932.TM08X..01CAT	32	23	15	11	11	9	1.5	80	M8	16-20-30-40	22-24-26-28
F18932.TM10X..01CAT	32	23	15	11	11	9	1.5	80	M10	20-30-40	27-30-33
F18940.TM06X..01CAT	40	24.5	17	12	12.5	12	1	80	M6	15-20-30-40-50	23-23-24-25-28
F18940.TM08X..01CAT	40	24.5	17	12	12.5	12	1	80	M8	16-20-30-40-50	25-27-32-36-40
F18940.TM10X..01CAT	40	24.5	17	12	12.5	12	1	80	M10	15-20-30-50	31-33-38-50
F18950.TM08X..01CAT	50	29	20	14	15	14.5	1.5	80	M8	15-20-30-40	39-41-45-49
F18950.TM10X..01CAT	50	29	20	14	15	14.5	1.5	80	M10	20-30-40-50	52-58-64-68
F18950.TM12X..01CAT	50	29	20	14	15	14.5	1.5	80	M12	30-50	60-73
F18960.TM08X..01CAT	60	34	24	15.5	18.5	18	1.5	80	M8	15-20-30-40	49-50-54-57
F18960.TM10X..01CAT	60	34	24	15.5	18.5	18	1.5	80	M10	20-30-40-50	68-72-76
F18960.TM12X..01CAT	60	34	24	15.5	18.5	18	1.5	80	M12	20-30-40-50	53-90-96-104

Enter the selected stud length in place of the two dots . . in the item code. Customised stud length available for a minimum of 150 pieces.

LM = Maximum mouldable length.



Arbel Agencies LTD.

11 Ba'alei Hamelacha st. Qiryat Bialik P.O.B 1095, ZIP 2751311, ISRAEL  
+972(0)48736969 ☎ +972(0)48730708 📠 info@arbel-ltd.com 📧 www.arbel-ltd.com 🌐

