

F189

SOLID STAR HANDWHEEL WITH THREADED STUD



Materials:

Reinforced polyamide.
Resistant to oils and greases.

Surface finish:

Satin.

Colour:

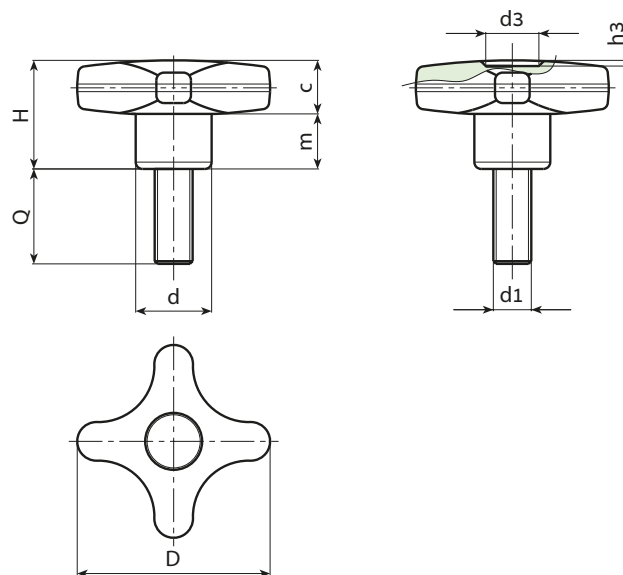
Black (RAL 9011).

Inserts:

Galvanised steel threaded stud (thread tolerance 6g).

Special Requests:

- Upon request and for special quantities inserts can be supplied with customised lengths.
- Upon request and for special quantities inserts can be supplied in different materials.
- Upon request and for special quantities available in the colours indicated in the chart (attention: reduced range) [page].



Stock availability as % (🛒)
90% (●) -40% (●) - 5% (●)

Art.	D	H	d	c	m	d3	h3	LM	d1 _{6g}	Q	📦
F18932.TM05X..01	32	23	15	11	11	9	1.5	80	M5	16-20-30	14-15-16
F18932.TM06X..01	32	23	15	11	11	9	1.5	80	M6	16-20-30	15-16-17
F18932.TM08X..01	32	23	15	11	11	9	1.5	80	M8	16-20-30-40	19-21-23-25
F18932.TM10X..01	32	23	15	11	11	9	1.5	80	M10	20-30-40	24-27-30
F18940.TM06X..01	40	24.5	17	12	12.5	12	1	80	M6	15-20-30-40-50	20-20-21-22-25
F18940.TM08X..01	40	24.5	17	12	12.5	12	1	80	M8	16-20-30-40-50	22-24-29-33-37
F18940.TM10X..01	40	24.5	17	12	12.5	12	1	80	M10	15-20-30-50	28,5-30-35-47
F18950.TM08X..01	50	29	20	14	15	14.5	1.5	80	M8	15-20-30-40	36-38-42-46
F18950.TM10X..01	50	29	20	14	15	14.5	1.5	80	M10	20-30-40-50	49-55-61-65
F18950.TM12X..01	50	29	20	14	15	14.5	1.5	80	M12	30-50	57-70
F18960.TM08X..01	60	34	24	15.5	18.5	18	1.5	80	M8	15-20-30-40	45,5-47-50-53
F18960.TM10X..01	60	34	24	15.5	18.5	18	1.5	80	M10	20-30-40-50	64-68-72
F18960.TM12X..01	60	34	24	15.5	18.5	18	1.5	80	M12	20-30-40-50	78-85-91-99

Enter the selected stud length in place of the two dots . . in the item code. Customised stud length available for a minimum of 150 pieces.

LM = Maximum mouldable length.



Arbel Agencies LTD.

11 Ba'alei Hamelacha st. Qiryat Bialik P.O.B 1095, ZIP 2751311, ISRAEL
+972(0)48736969 ☎ +972(0)48730708 📠 info@arbel-ltd.com 📧 www.arbel-ltd.com 🌐

