

F188CAT



PA6
+G.F.

UL94
HB

RoHS
COMPLIANT

SOLID STAR HANDWHEEL WITH RETAINING CHAIN AND THREADED THROUGH-HOLE INSERT

Materials:

Reinforced polyamide.
Resistant to oils and greases.

Surface finish:

Satin.

Colour:

Black (RAL 9011).

Inserts:

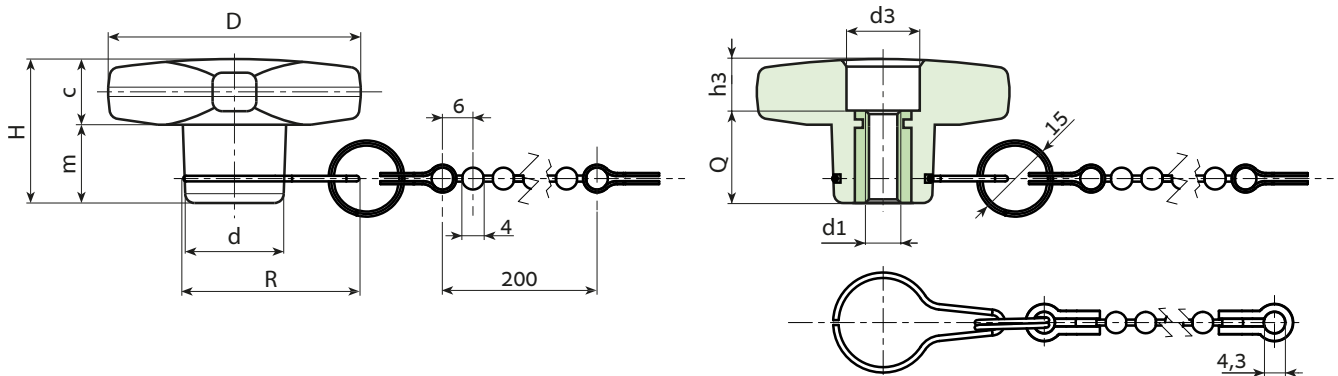
Brass insert with threaded through hole (thread tolerance 6H).

Chain:

Black acetal (POM) chain. Harmonic stainless steel (Aisi 302) joints, retaining ring and hub hook.

Special Requests:

- Upon request and for special quantities inserts can be supplied in different materials.
- Upon request the chain can be supplied with customised lengths.
- Upon request and for special quantities available in the colours indicated in the chart (attention: reduced range) [page].



Stock availability as % (🛒)
90% (●) - 40% (●) - 5% (●)

🛒	Art.	D	H	d	R	c	m	d3	h3	d1 _{6H}	Q	g
●	F18832.TM0401CAT	32	23	15	32	11	11	10	5	M4	18	12
●	F18832.TM0501CAT	32	23	15	32	11	11	10	5	M5	18	13
●	F18832.TM0601CAT	32	23	15	32	11	11	10	5	M6	18	13.5
●	F18840.TM0601CAT	40	24.5	16	33	12	12.5	12	6.5	M6	18	16
●	F18840.TM0801CAT	40	24.5	16	33	12	12.5	12	6.5	M8	18	18
●	F18850.TM0601CAT	50	29	20	35	14	15	14	11	M6	18	26
●	F18850.TM0801CAT	50	29	20	35	14	15	14	11	M8	18	27
●	F18850.TM1001CAT	50	29	20	35	14	15	14	11	M10	18	28
●	F18860.TM0801CAT	60	34	24	38	15.5	18.5	16	16	M8	18	37
●	F18860.TM1001CAT	60	34	24	38	15.5	18.5	16	16	M10	18	41
●	F18860.TM1201CAT	60	34	24	38	15.5	18.5	16	16	M12	18	43