

F187

SOLID STAR HANDWHEEL WITH INSERT AND SMOOTH BORE



Materials:

Reinforced polyamide.
Resistant to oils and greases.

Surface finish:

Satin.

Colour:

Black (RAL 9011).

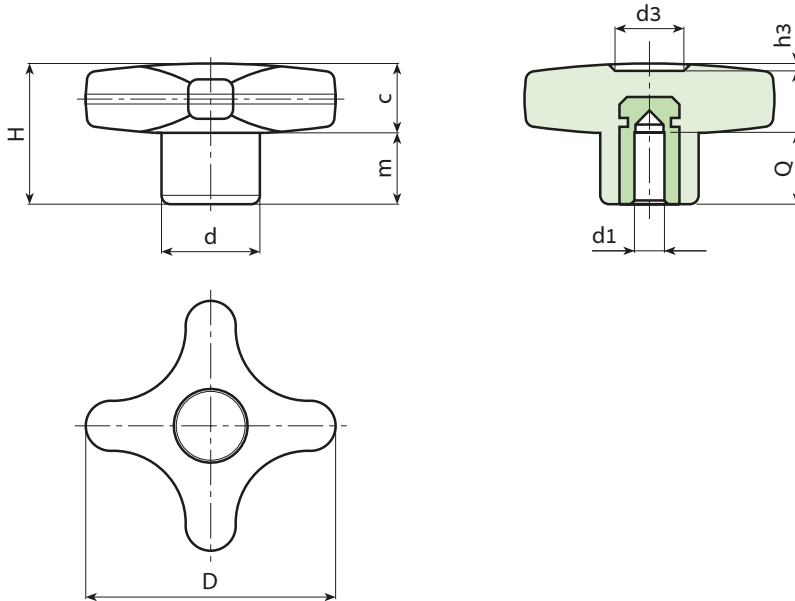
Inserts:

Brass insert with blind smooth bore (bore tolerance H7)

ATTENTION: bore cannot be widened.

Special Requests:

- Upon request and for special quantities inserts can be supplied in different materials.
- Upon request and for special quantities available in the colours indicated in the chart (attention: reduced range) [page].



Stock availability as % (🛒)
90% (●) - 40% (●) - 5% (●)

🛒	Art.	D	H	d	c	m	d3	h3	d1 _{H7}	Q	🛒
●	F18732.TD0601	32	23	15	11	12	11	1.5	6	15	13
●	F18732.TD0801	32	23	15	11	12	11	1.5	8	15	14
●	F18740.TD0601	40	24.5	16	12	12.5	13	1.5	6	15	18
●	F18740.TD0801	40	24.5	16	12	12.5	13	1.5	8	15	21
●	F18740.TD1001	40	24.5	16	12	12.5	13	1.5	10	17	20
●	F18750.TD0601	50	29	20	14	15	14	2	6	15	29
●	F18750.TD0801	50	29	20	14	15	14	2	8	15	31
●	F18750.TD1001	50	29	20	14	15	14	2	10	17	32
●	F18760.TD0801	60	34	24	15.5	18.5	18	2	8	18	70
●	F18760.TD1001	60	34	24	15.5	18.5	18	2	10	25	65
●	F18760.TD1201	60	34	24	15.5	18.5	18	2	12	22	60