

F178

6-LOBE SOLID HANDWHEEL WITH THREADED STUD



Materials:

Reinforced polyamide.
Resistant to oils and greases.

Surface finish:

Satin.

Colour:

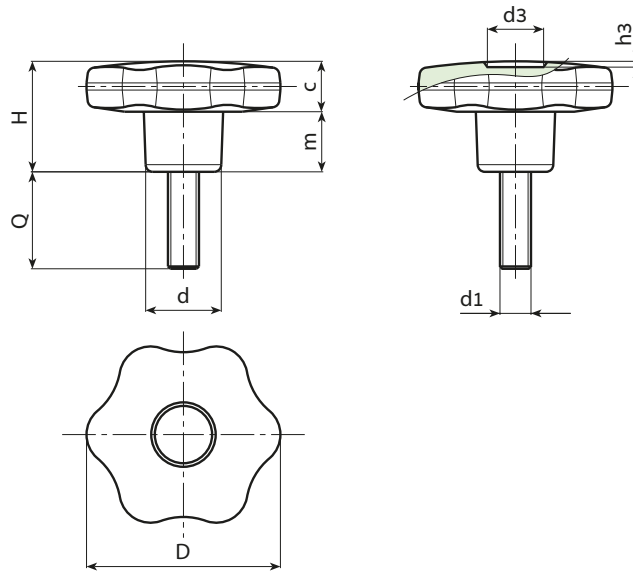
Black (RAL 9011).

Inserts:

Galvanised steel threaded stud (thread tolerance 6g).

Special Requests:

- Upon request and for special quantities inserts can be supplied with customised lengths.
- Upon request and for special quantities inserts can be supplied in different materials.
- Upon request and for special quantities available in the colours indicated in the chart (attention: reduced range) [page].



Stock availability as % (🛒)
90% (●) -40% (●) -5% (●)

Art.	D	H	d	c	m	d3	h3	LM	d1 _{6g}	Q	g
F17830.TM05X..01	30	22	15	11	11	9	1.5	80	M5	10-16-20-30-40	13-14-15-16-17
F17830.TM06X..01	30	22	15	11	11	9	1.5	80	M6	10-16-20-25-30-40	15-16-17-17.5-18-19
F17830.TM08X..01	30	22	15	11	11	9	1.5	80	M8	16-20-30-40	19-21-25-28
F17830.TM10X..01	30	22	15	11	11	9	1.5	80	M10	20-30-40	28-33-39
F17840.TM06X..01	40	24.5	17	12	12.5	12	1	130	M6	16-20-30-40	25-25-27-28
F17840.TM08X..01	40	24.5	17	12	12.5	12	1	130	M8	16-20-25-30-35-40-45-50	28-30-31-33-34-36-38-39
F17840.TM10X..01	40	24.5	17	12	12.5	12	1	130	M10	20-30-40-50	37-41-45-49
F17850.TM08X..01	50	29	20	14	15	14.5	1.5	130	M8	15-20-30-40	48-49-52-55
F17850.TM10X..01	50	29	20	14	15	14.5	1.5	130	M10	20-25-30-40-50	55-57-60-61-64
F17850.TM12X..01	50	29	20	14	15	14.5	1.5	130	M12	20-30-40-50	63-67-72-77
F17860.TM08X..01	60	34	24	16	18	18	1.5	130	M8	30-40	71-74
F17860.TM10X..01	60	34	24	16	18	18	1.5	130	M10	20-30-40-50	74-80-85-88
F17860.TM12X..01	60	34	24	16	18	18	1.5	130	M12	20-30-40-50	95-102-109-116
F17860.TM14X..01	60	34	24	16	18	18	1.5	130	M14	A.R.	-

Enter the selected stud length in place of the two dots . . in the item code. Customised stud length available for a minimum of 150 pieces.

A.R. = Upon request.

LM = Maximum mouldable length.



Arbel Agencies LTD.

11 Ba'alei Hamelacha st. Qiryat Bialik P.O.B 1095, ZIP 2751311, ISRAEL
+972(0)48736969 ☎ +972(0)48730708 📠 info@arbel-ltd.com 📧 www.arbel-ltd.com 🌐

