

F177CAT



PA6
+G.F.

UL94
HB

RoHS
COMPLIANT

6-LOBE SOLID HANDWHEEL WITH RETAINING CHAIN AND THREADED THROUGH-HOLE INSERT

Materials:

Reinforced polyamide.
Resistant to oils and greases.

Surface finish:

Satin.

Colour:

Black (RAL 9011).

Inserts:

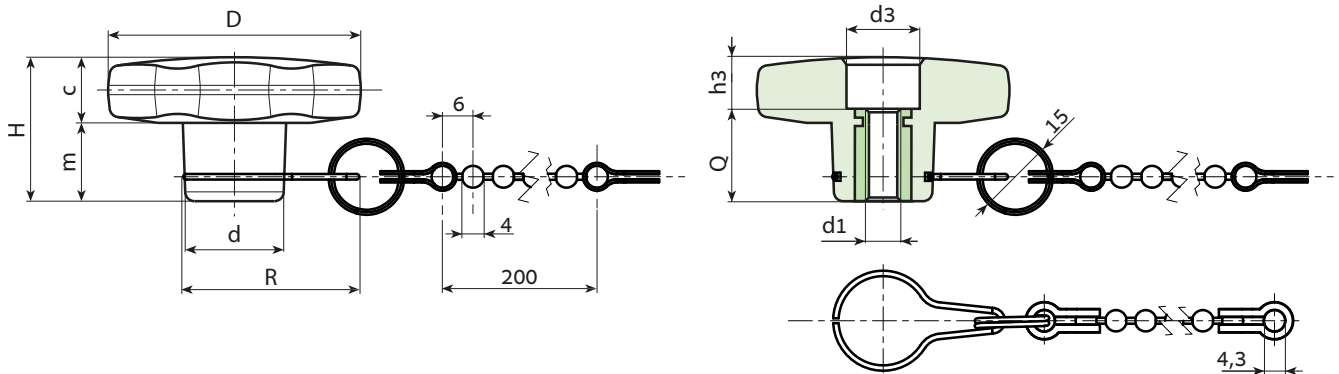
Brass insert with threaded through hole (thread tolerance 6H).

Chain:

Black acetal (POM) chain. Harmonic stainless steel (Aisi 302) joints, retaining ring and hub hook.

Special Requests:

- Upon request and for special quantities inserts can be supplied in different materials.
- Upon request the chain can be supplied with customised lengths.
- Upon request and for special quantities available in the colours indicated in the chart (attention: reduced range) [page].



Stock availability as % (🛒)
90% (●) - 40% (●) - 5% (●)

🛒	Art.	D	H	d	R	c	m	d3	h3	d1 _{6H}	Q	g
●	F17730.TM0501CAT	30	22	15	32	11	11	11	4	M5	18	15
●	F17730.TM0601CAT	30	22	15	32	11	11	11	4	M6	18	15
●	F17740.TM0601CAT	40	24.5	17	33	12	12.5	12	6	M6	18	23
●	F17740.TM0801CAT	40	24.5	17	33	12	12.5	12	6	M8	18	24
●	F17750.TM0601CAT	50	29	20	35	14	15	14	11	M6	18	36
●	F17750.TM0801CAT	50	29	20	35	14	15	14	11	M8	18	37
●	F17760.TM0801CAT	60	34	24	38	16	18	15	16	M8	18	57
●	F17760.TM1001CAT	60	34	24	38	16	18	15	16	M10	18	58
●	F17760.TM1201CAT	60	34	24	38	16	18	15	16	M12	18	58