

# F177



## 6-LOBE SOLID HANDWHEEL WITH THREADED THROUGH-HOLE INSERT

### Materials:

Reinforced polyamide.  
Resistant to oils and greases.

### Surface finish:

Satin.

### Colour:

Black (RAL 9011).

### Inserts:

#### Version F177:

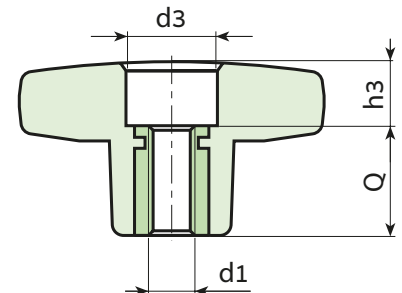
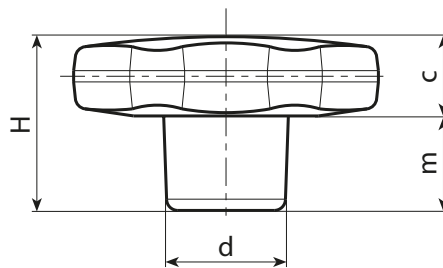
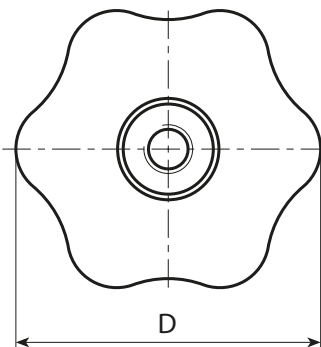
Brass insert with threaded through hole (thread tolerance 6H).

#### Version F177PIN:

Stainless steel insert with threaded through hole (Aisi 303) (thread tolerance 6H).

### Special Requests:

- Upon request and for special quantities inserts can be supplied in different materials.
- Upon request and for special quantities available in the colours indicated in the chart (attention: reduced range) [page ].



### Version F177: with brass insert.

Stock availability as % (🛒)  
90% (●) - 40% (●) - 5% (●)

🛒	Art.	D	H	d	c	m	d3	h3	d1 <sub>6H</sub>	Q	g
●	F17730.TM0501	30	22	15	11	11	11	4	M5	18	12
●	F17730.TM0601	30	22	15	11	11	11	4	M6	18	13
●	F17730.TM0801	30	22	15	11	11	11	4	M8	18	13
●	F17730.TM1001	30	22	15	11	11	11	4	M10	18	14
●	F17740.TM0601	40	24.5	17	12	12.5	12	6	M6	18	20
●	F17740.TM0801	40	24.5	17	12	12.5	12	6	M8	18	21
●	F17740.TM1001	40	24.5	17	12	12.5	12	6	M10	18	22
●	F17750.TM0601	50	29	20	14	15	14	11	M6	18	33
●	F17750.TM0801	50	29	20	14	15	14	11	M8	18	34
●	F17750.TM1001	50	29	20	14	15	14	11	M10	18	35
●	F17750.TM1201	50	29	20	14	15	14	11	M12	18	35
●	F17760.TM0801	60	34	24	16	18	15	16	M8	18	54
●	F17760.TM1001	60	34	24	16	18	15	16	M10	18	55
●	F17760.TM1201	60	34	24	16	18	15	16	M12	18	55
●	F17760.TM1401	60	34	24	16	18	15	16	M14	18	56

### Version F177PIN: with stainless steel insert (Aisi 303).

INOX

🛒	Art.	D	H	d	c	m	d3	h3	d1 <sub>6H</sub>	Q	g
●	F17730.TM0501PIN	30	22	15	11	11	11	4	M5	18	12
●	F17730.TM0601PIN	30	22	15	11	11	11	4	M6	18	13
●	F17730.TM0801PIN	30	22	15	11	11	11	4	M8	18	13
●	F17740.TM0601PIN	40	24.5	17	12	12.5	12	6	M6	18	20
●	F17740.TM0801PIN	40	24.5	17	12	12.5	12	6	M8	18	21
●	F17740.TM1001PIN	40	24.5	17	12	12.5	12	6	M10	18	22
●	F17750.TM0801PIN	50	29	20	14	15	14	11	M8	18	34
●	F17750.TM1001PIN	50	29	20	14	15	14	11	M10	18	35
●	F17750.TM1201PIN	50	29	20	14	15	14	11	M12	18	35
●	F17760.TM0801PIN	60	34	24	16	18	15	16	M8	18	54
●	F17760.TM1001PIN	60	34	24	16	18	15	16	M10	18	55
●	F17760.TM1201PIN	60	34	24	16	18	15	16	M12	18	55