

F175CAT

+135°
-30°

PA6
+G.F.

UL94
HB

RoHS
COMPLIANT

6-LOBE SOLID HANDWHEEL WITH RETAINING CHAIN AND FEMALE THREADED INSERT

Materials:

Reinforced polyamide.
Resistant to oils and greases.

Surface finish:

Satin.

Colour:

Black (RAL 9011).

Inserts:

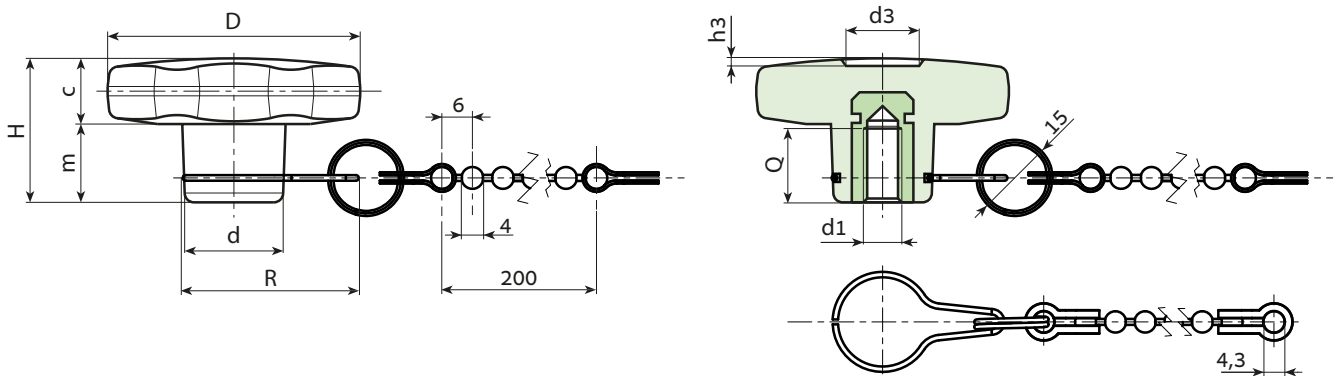
Brass insert with female threaded hole (thread tolerance 6H).

Chain:

Black acetal (POM) chain. Harmonic stainless steel (Aisi 302) joints, retaining ring and hub hook.

Special Requests:

- Upon request and for special quantities inserts can be supplied in different materials.
- Upon request the chain can be supplied with customised lengths.
- Upon request and for special quantities available in the colours indicated in the chart (attention: reduced range) [page].



Stock availability as % (🛒)
90% (●) - 40% (●) - 5% (●)

🛒	Art.	D	H	d	R	c	m	d3	h3	d1 ^{6H}	Q	🛒
●	F17530.TM0401CAT	30	22	15	32	11	11	9	1.5	M4	15	14.5
●	F17530.TM0501CAT	30	22	15	32	11	11	9	1.5	M5	14	14.5
●	F17530.TM0601CAT	30	22	15	32	11	11	9	1.5	M6	10	15
●	F17540.TM0501CAT	40	24.5	17	33	12	12.5	12	1	M5	14	25
●	F17540.TM0601CAT	40	24.5	17	33	12	12.5	12	1	M6	18	25
●	F17540.TM0801CAT	40	24.5	17	33	12	12.5	12	1	M8	14	24.5
●	F17550.TM0601CAT	50	29	20	35	15.5	13.5	14.5	1.5	M6	16	39
●	F17550.TM0801CAT	50	29	20	35	15.5	14	14.5	1.5	M8	14	39
●	F17550.TM1001CAT	50	29	20	35	15.5	13.5	14.5	1.5	M10	20	40
●	F17560.TM0801CAT	60	34	24	38	16	18	18	1.5	M8	19	62
●	F17560.TM1001CAT	60	34	24	38	16	18	18	1.5	M10	21	62
●	F17560.TM1201CAT	60	34	24	38	16	18	18	1.5	M12	18	65

Arbel Agencies LTD.

arbel
AGENCIES LIMITED

11 Ba'alei Hamelacha st. Qiryat Bialik P.O.B 1095, ZIP 2751311, ISRAEL
+972(0)48736969 ☎ +972(0)48730708 📠 info@arbel-ltd.com 📧 www.arbel-ltd.com 🌐

BOTECO®