

F175

6-LOBE SOLID HANDWHEEL WITH FEMALE THREADED INSERT



Materials:

Reinforced polyamide.
Resistant to oils and greases.

Surface finish:

Satin.

Colour:

Black (RAL 9011).

Inserts:

Version F175:

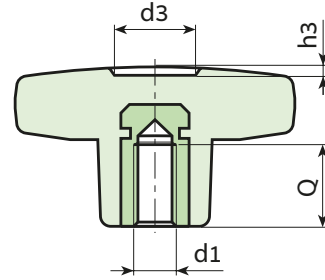
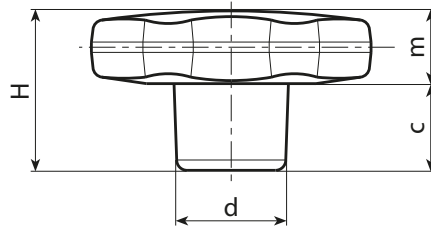
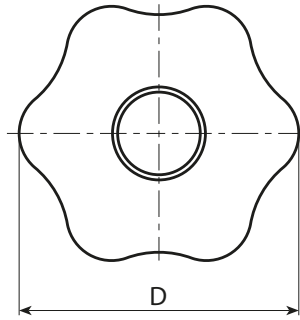
Brass insert with female threaded hole (thread tolerance 6H).

Version F175CIN:

Stainless steel insert with female threaded hole (Aisi 303) (thread tolerance 6H).

Special Requests:

- Upon request and for special quantities inserts can be supplied in different materials.
- Upon request and for special quantities available in the colours indicated in the chart (attention: reduced range) [page].



Version F175: with brass insert.

Stock availability as % (🛒)
90% (●) - 40% (●) - 5% (●)

🛒	Art.	D	H	d	c	m	d3	h3	d1 _{6H}	Q	g
●	F17530.TM0401	30	22	15	11	11	9	1.5	M4	15	11.5
●	F17530.TM0501	30	22	15	11	11	9	1.5	M5	14	11.5
●	F17530.TM0601	30	22	15	11	11	9	1.5	M6	10	12
●	F17530.TM0801	30	22	15	11	11	9	1.5	M8	14	13.5
●	F17530.TM1001	30	22	15	11	11	9	1.5	M10	14	14
●	F17540.TM0501	40	24.5	17	12	12.5	12	1	M5	14	22
●	F17540.TM0601	40	24.5	17	12	12.5	12	1	M6	18	22
●	F17540.TM0801	40	24.5	17	12	12.5	12	1	M8	14	21.5
●	F17540.TM1001	40	24.5	17	12	12.5	12	1	M10	14	21
●	F17550.TM0601	50	29	20	15.5	13.5	14.5	1.5	M6	16	36
●	F17550.TM0801	50	29	20	15.5	14	14.5	1.5	M8	14	36
●	F17550.TM1001	50	29	20	15.5	13.5	14.5	1.5	M10	20	37
●	F17550.TM1201	50	29	20	15.5	13.5	14.5	1.5	M12	18	39
●	F17560.TM0801	60	34	24	16	18	18	1.5	M8	19	59
●	F17560.TM1001	60	34	24	16	18	18	1.5	M10	21	59
●	F17560.TM1201	60	34	24	16	18	18	1.5	M12	18	62
●	F17560.TM1401	60	34	24	16	18	18	1.5	M14	19	63

Version F175CIN: with stainless steel insert (Aisi 303).

INOX

🛒	Art.	D	H	d	c	m	d3	h3	d1 _{6H}	Q	g
●	F17530.TM0501CIN	30	22	15	11	11	9	1.5	M5	14	11.5
●	F17530.TM0601CIN	30	22	15	11	11	9	1.5	M6	10	12
●	F17530.TM0801CIN	30	22	15	11	11	9	1.5	M8	14	13.5
●	F17540.TM0601CIN	40	24.5	17	12	12.5	12	1	M6	16	22
●	F17540.TM0801CIN	40	24.5	17	12	12.5	12	1	M8	14	21.5
●	F17540.TM1001CIN	40	24.5	17	12	12.5	12	1	M10	14	21
●	F17550.TM0801CIN	50	29	20	14	15	14.5	1.5	M8	14	36
●	F17550.TM1001CIN	50	29	20	14	15	14.5	1.5	M10	14	37
●	F17550.TM1201CIN	50	29	20	14	15	14.5	1.5	M12	13	39
●	F17560.TM0801CIN	60	34	24	16	18	18	1.5	M8	19	59
●	F17560.TM1001CIN	60	34	24	16	18	18	1.5	M10	21	59
●	F17560.TM1201CIN	60	34	24	16	18	18	1.5	M12	18	62

Arbel Agencies LTD.



11 Ba'alei Hamelacha st. Qiryat Bialik P.O.B 1095, ZIP 2751311, ISRAEL
+972(0)48736969 ☎ +972(0)48730708 📠 info@arbel-ltd.com 📧 www.arbel-ltd.com 🌐

