

F111

6-LOBE SOLID KNOB WITH THREADED STUD



Materials:

Reinforced polyamide.
Resistant to oils and greases.

Surface finish:

Satin.

Colour:

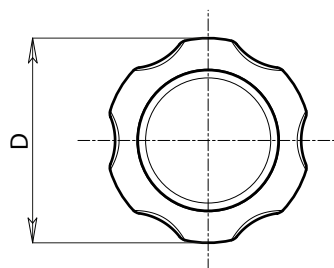
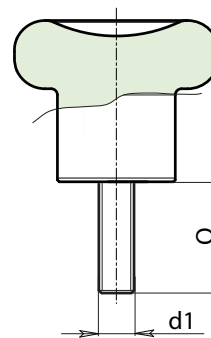
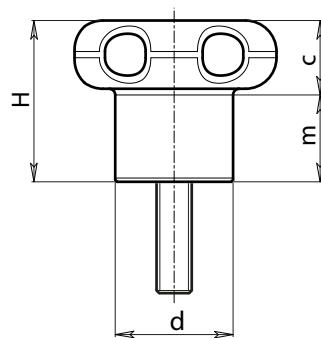
Black (RAL 9011).

Inserts:

Galvanised steel threaded stud (thread tolerance 6g).

Special Requests:

- Upon request and for special quantities inserts can be supplied with customised lengths.
- Upon request and for special quantities inserts can be supplied in different materials.
- Upon request and for special quantities available in the colours indicated in the chart (attention: reduced range) [page].



Stock availability as % (🛒)
90% (●) - 40% (●) - 5% (●)

🛒	Art.	D	d	H	m	c	LM	d1 _{6g}	Q	📦
●	F111022.TM04X..01	22	12	17.5	11	6.5	50	M4	16-30	6-7
●	F111022.TM05X..01	22	12	17.5	11	6.5	50	M5	16-30	7-8
●	F111027.TM05X..01	27	14	22	13	9	60	M5	20-40	10-11
●	F111027.TM06X..01	27	14	22	13	9	60	M6	20-40	12-13
●	F111033.TM08X..01	33	19	26	15	11	70	M8	20-40	18-22
●	F111033.TM10X..01	33	19	26	15	11	70	M10	20-50	24-27

Enter the selected stud length in place of the two dots . . in the item code.

LM = maximum mouldable length.