

E518



INDEXED CRANK HANDLE WITH THREADED INSERT AND REVOLVING HANDLE

Material:

Reinforced polyamide. Resistant to oils and greases.

Surface finish:

Satin.

Colour:

Black (RAL 9011).

Inserts:

Galvanised steel insert with female threaded hole (thread tolerance 6H).

Lateral insert:

Brass insert with threaded through hole.

Lateral handle:

E518: Revolving handle art. M144 page ().

E513: Revolving handle art. M145 page ().

E517: Revolving handle art. M129 page ().

Spring:

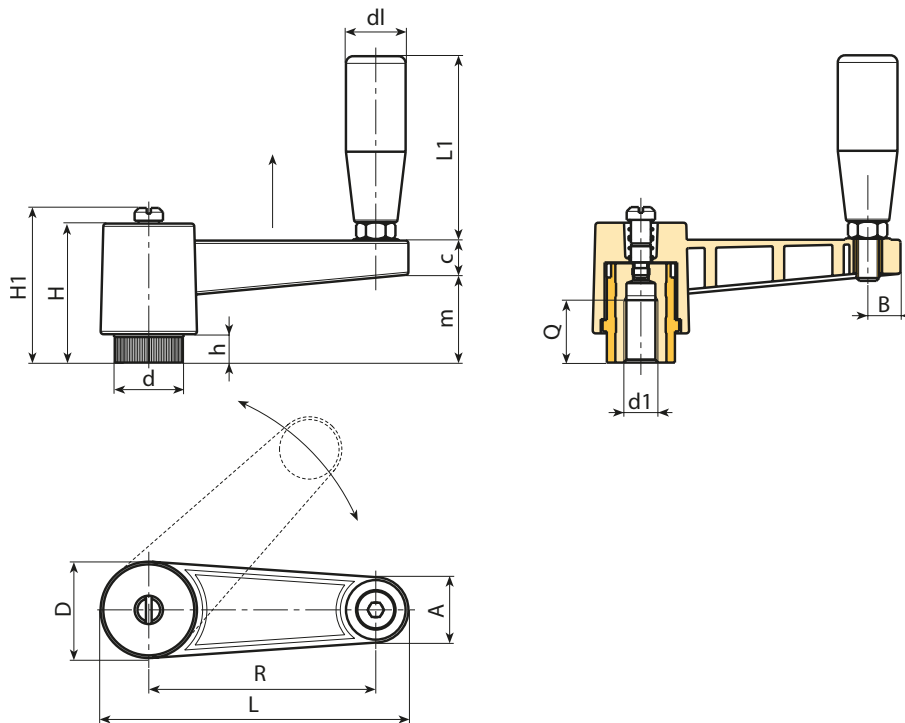
Stainless steel spring (Aisi 302).

Fixing screw:

Black oxide treated steel screw with slotted head.

Special requests:

- Upon request and for special quantities inserts can be supplied in different materials.
- Upon request and for special quantities crank handle body available in the colours indicated in the chart [page].



Stock availability as % ()
90% () - 40% () - 5% ()

	Art.	L	R	H	D	d	m	c	A	B	h	H1	d1 _{6H}	Q	dl	L1	
	E518065.TM0801	88,5	65	46	27	19	30	13	17	9	10	-	M8	18	19	54	94
	E518065.TM1001	88,5	65	46	27	19	30	13	17	9	10	-	M10	18	19	54	90
	E518065.TM1201	88,5	65	46	27	19	30	13	17	9	10	-	M12	18	19	54	90
	E518080.TM1201	109	80	50	34	24,5	33	13	22	12	11	54	M12	22	21	66	172
	E518080.TM1401	109	80	50	34	24,5	33	13	22	12	11	54	M14	22	21	66	164
	E518080.TM1601	109	80	50	34	24,5	33	13	22	12	11	54	M16	22	21	66	154
	E518110.TM1201	139	110	50	34	24,5	33	13	22	12	11	54	M12	22	21	66	181
	E518110.TM1401	139	110	50	34	24,5	33	13	22	12	11	54	M14	22	21	66	195
	E518110.TM1601	139	110	50	34	24,5	33	13	22	12	11	54	M16	22	21	66	198

Arbel Agencies LTD.



11 Ba'alei Hamelacha st. Qiryat Bialik P.O.B 1095, ZIP 2751311, ISRAEL
+972(0)48736969 ☎ +972(0)48730708 📠 info@arbel-ltd.com 📧 www.arbel-ltd.com 🌐



E513



INDEXED CRANK HANDLE WITH THREADED INSERT AND REVOLVING HANDLE M145

General features:

All unspecified features are identical to basic item E518.

Inserts:

Galvanised steel insert with female threaded hole (thread tolerance 6H).

Lateral handle:

Revolving handle art. M145 page ().



Art.	L	R	H	D	d	m	c	A	B	h	H1	d16H	Q	dl	L1	g
E513065.TM0801	88,5	65	46	27	19	30	13	17	9	10	-	M8	18	20	56	96
E513065.TM1001	88,5	65	46	27	19	30	13	17	9	10	-	M10	18	20	56	92
E513065.TM1201	88,5	65	46	27	19	30	13	18	9	10	-	M12	17	20	56	91
E513080.TM1201	109	80	50	34	24,5	33	13	22	12	11	54	M12	22	23,5	68	177
E513080.TM1401	109	80	50	34	24,5	33	13	22	12	11	54	M14	22	23,5	68	179
E513080.TM1601	109	80	50	34	24,5	33	13	22	12	11	54	M16	22	23,5	68	169
E513110.TM1201	139	110	50	34	24,5	33	13	22	12	11	54	M12	22	23,5	68	196
E513110.TM1401	139	110	50	34	24,5	33	13	22	12	11	54	M14	22	23,5	68	200
E513110.TM1601	139	110	50	34	24,5	33	13	22	12	11	54	M16	22	23,5	68	205

E517



INDEXED CRANK HANDLE WITH THREADED INSERT AND REVOLVING HANDLE M129

General features:

All unspecified features are identical to basic item E518.

Inserts:

Galvanised steel insert with female threaded hole (thread tolerance 6H).

Lateral handle:

Revolving handle art. M129 page ().



Stock availability as % (🛒)
90% (●) - 40% (●) - 5% (●)

Art.	L	R	H	D	d	m	c	A	B	h	H1	d16H	Q	dl	L1	g
E517065.TM0801	88,5	65	46	27	19	30	13	17	9	9.5	-	M8	18	20	52	106
E517065.TM1001	88,5	65	46	27	19	30	13	17	9	9.5	-	M10	18	20	52	102
E517065.TM1201	88,5	65	46	27	19	30	13	17	9	9.5	-	M12	18	20	52	102
E517080.TM1201	109	80	50	34	24,5	33	13	22	12	11	54	M12	22	23,5	63	187
E517080.TM1401	109	80	50	34	24,5	33	13	22	12	11	54	M14	22	23,5	63	189
E517080.TM1601	109	80	50	34	24,5	33	13	22	12	11	54	M16	22	23,5	63	179
E517110.TM1201	139	110	50	34	24,5	33	13	22	12	11	54	M12	22	23,5	63	206
E517110.TM1401	139	110	50	34	24,5	33	13	22	12	11	54	M14	22	23,5	63	198
E517110.TM1601	139	110	50	34	24,5	33	13	22	12	11	54	M16	22	23,5	63	196