

# E330



## CRANK HANDLE WITH SQUARE HOLE AND REVOLVING HANDLE

### Material:

Reinforced polyamide.  
Resistant to oils and greases.

### Surface finish:

Satin.

### Colour:

Black (RAL 9011).

### Central cap:

Grey polyamide (RAL 7035 code 13).

### Alternative Cap colours:

Orange (RAL 2004 code 02).  
Red (RAL 3000 code 16).  
Blue (RAL 5015 code 07).  
Green (RAL 6024 code 17).  
Yellow (RAL 1021 code 10).  
Black (RAL 9011 code 01).

### Inserts:

Bush with square through hole in black oxide treated steel (hole tolerance H10).

### Lateral insert:

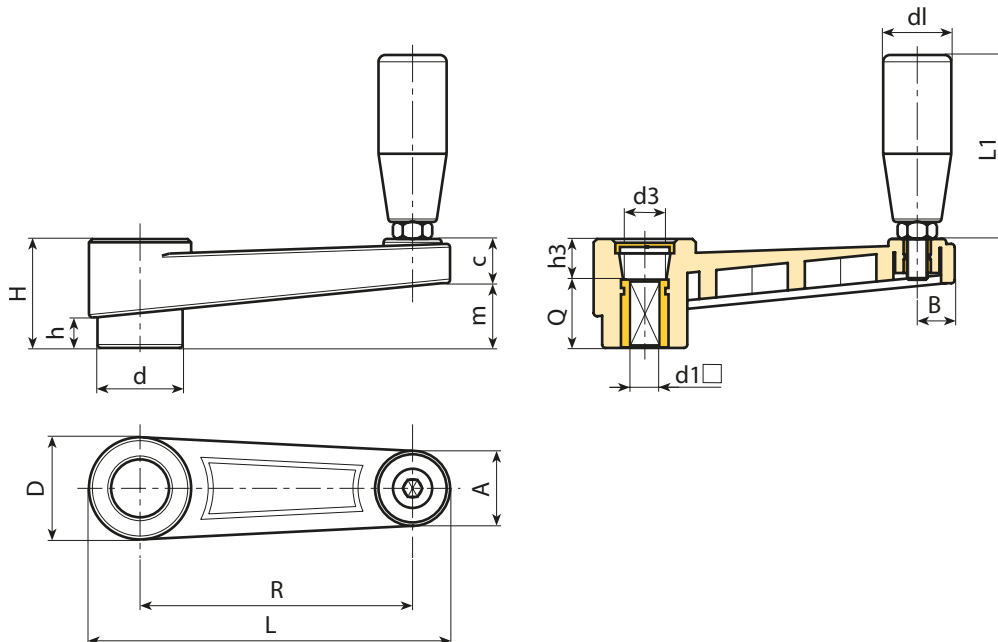
Brass insert with threaded through hole.

### Lateral handle:

E330: Revolving handle art. M144 page (.).  
E331: Revolving handle art. M145 page (.).  
E332: Revolving handle art. M129 page (.).

### Special requests:

- Upon request and for special quantities inserts can be supplied in different materials/with different coatings.
- Upon request and for special quantities available in the colours indicated in the chart [page].



Stock availability as % (🛒)  
90% (●) - 40% (●) - 5% (●)

| 🛒 | Art.            | L    | R   | H    | D    | d    | m    | c    | A  | B   | h    | d3   | h3  | d1 <sub>H10</sub> | Q  | dl   | L1 | 🛒   |
|---|-----------------|------|-----|------|------|------|------|------|----|-----|------|------|-----|-------------------|----|------|----|-----|
| ● | E330065.TQ0601P | 88,5 | 65  | 30   | 27,5 | 22   | 17   | 13   | 18 | 9,5 | 8    | 14,5 | 10  | 6                 | 20 | 19   | 54 | 96  |
| ● | E330065.TQ0801P | 88,5 | 65  | 30   | 27,5 | 22   | 17   | 13   | 18 | 9,5 | 8    | 14,5 | 10  | 8                 | 20 | 19   | 54 | 92  |
| ● | E330080.TQ1001P | 107  | 80  | 33,5 | 32   | 26   | 20,5 | 13   | 23 | 11  | 9    | 19,5 | 9,5 | 10                | 24 | 19   | 54 | 105 |
| ● | E330110.TQ1201P | 140  | 110 | 39   | 35   | 29   | 25   | 14   | 24 | 12  | 11   | 19,5 | 11  | 12                | 28 | 21   | 66 | 152 |
| ● | E330140.TQ1401P | 175  | 140 | 49   | 44   | 35,5 | 32   | 17   | 27 | 13  | 15,5 | 24   | 19  | 14                | 30 | 23,5 | 76 | 242 |
| ● | E330185.TQ1701P | 223  | 185 | 55   | 47,5 | 40   | 38,5 | 16,5 | 27 | 14  | 17   | 29,5 | 21  | 17                | 34 | 25,5 | 87 | 385 |

# E331



## CRANK HANDLE WITH SQUARE HOLE AND REVOLVING HANDLE M145

### General features:

All unspecified features are identical to basic item E330.

### Inserts:

Bush with square through hole in black oxide treated steel (hole tolerance H10).

### Lateral handle:

Revolving handle art. M145 [page].



| 🛒 | Art.            | L   | R   | H    | D    | d    | m    | c    | A  | B   | h    | d3   | h3  | d1 <sub>H10</sub> | Q  | dl   | L1 | 📦   |
|---|-----------------|-----|-----|------|------|------|------|------|----|-----|------|------|-----|-------------------|----|------|----|-----|
| ● | E331065.TQ0601P | 89  | 65  | 30   | 27,5 | 22   | 17   | 13   | 20 | 9,5 | 8    | 14,5 | 10  | 6                 | 20 | 20   | 56 | 111 |
| ● | E331065.TQ0801P | 89  | 65  | 30   | 27,5 | 22   | 17   | 13   | 20 | 9,5 | 8    | 14,5 | 10  | 8                 | 20 | 20   | 56 | 117 |
| ● | E331080.TQ1001P | 107 | 80  | 33,5 | 32   | 26   | 20,5 | 13   | 23 | 11  | 9    | 19,5 | 9,5 | 10                | 24 | 20   | 56 | 140 |
| ● | E331110.TQ1201P | 140 | 110 | 39   | 35   | 29   | 25   | 14   | 24 | 12  | 11   | 19,5 | 11  | 12                | 28 | 23,5 | 68 | 177 |
| ● | E331140.TQ1401P | 175 | 140 | 49   | 44   | 35,5 | 32   | 17   | 27 | 13  | 15,5 | 24   | 19  | 14                | 30 | 25   | 77 | 267 |
| ● | E331185.TQ1701P | 223 | 185 | 55   | 47,5 | 40   | 38,5 | 16,5 | 27 | 14  | 17   | 29,5 | 21  | 17                | 34 | 26   | 86 | 400 |

# E332



## CRANK HANDLE WITH SQUARE HOLE AND REVOLVING HANDLE M129

### General features:

All unspecified features are identical to basic item E330.

### Inserts:

Bush with square through hole in black oxide treated steel (hole tolerance H10).

### Lateral handle:

Revolving handle art. M129 [page].



Stock availability as % (🛒)  
90% (●) - 40% (●) - 5% (●)

| 🛒 | Art.            | L   | R   | H    | D    | d    | m    | c    | A  | B   | h    | d3   | h3  | d1 <sub>H10</sub> | Q  | dl   | L1 | 📦   |
|---|-----------------|-----|-----|------|------|------|------|------|----|-----|------|------|-----|-------------------|----|------|----|-----|
| ● | E332065.TQ0601P | 89  | 65  | 30   | 27,5 | 22   | 17   | 13   | 20 | 9,5 | 8    | 14,5 | 10  | 6                 | 20 | 20   | 52 | 101 |
| ● | E332065.TQ0801P | 89  | 65  | 30   | 27,5 | 22   | 17   | 13   | 20 | 9,5 | 8    | 14,5 | 10  | 8                 | 20 | 20   | 52 | 107 |
| ● | E332080.TQ1001P | 107 | 80  | 33,5 | 32   | 26   | 20,5 | 13   | 23 | 11  | 9    | 19,5 | 9,5 | 10                | 24 | 20   | 52 | 130 |
| ● | E332110.TQ1201P | 140 | 110 | 39   | 35   | 29   | 22   | 14   | 24 | 12  | 11   | 19,5 | 11  | 12                | 28 | 23,5 | 63 | 167 |
| ● | E332140.TQ1401P | 175 | 140 | 49   | 44   | 35,5 | 32   | 17   | 27 | 13  | 15,5 | 24   | 19  | 14                | 30 | 25   | 72 | 257 |
| ● | E332185.TQ1701P | 223 | 185 | 55   | 47,5 | 40   | 38,5 | 16,5 | 27 | 14  | 17   | 29,5 | 21  | 17                | 34 | 26   | 82 | 390 |