

# E242



PA6  
+G.F.

UL94  
HB

RoHS  
COMPLIANT

## CRANK HANDLE WITH SQUARE HOLE INSERT AND FOLDING HANDLE

### Material:

Reinforced polyamide.  
Resistant to oils and greases.

### Surface finish:

Satin.

### Colour:

Black (RAL 9011).

### Central cap:

Grey polyamide (RAL 7035 code 13).

### Alternative Cap colours:

Orange (RAL 2004 code 02).  
Red (RAL 3000 code 16).  
Blue (RAL 5015 code 07).  
Green (RAL 6024 code 17).  
Yellow (RAL 1021 code 10).  
Black (RAL 9011 code 01).

### Inserts:

Bush with square through hole in black oxide treated steel  
(hole tolerance H10).

### Lateral insert:

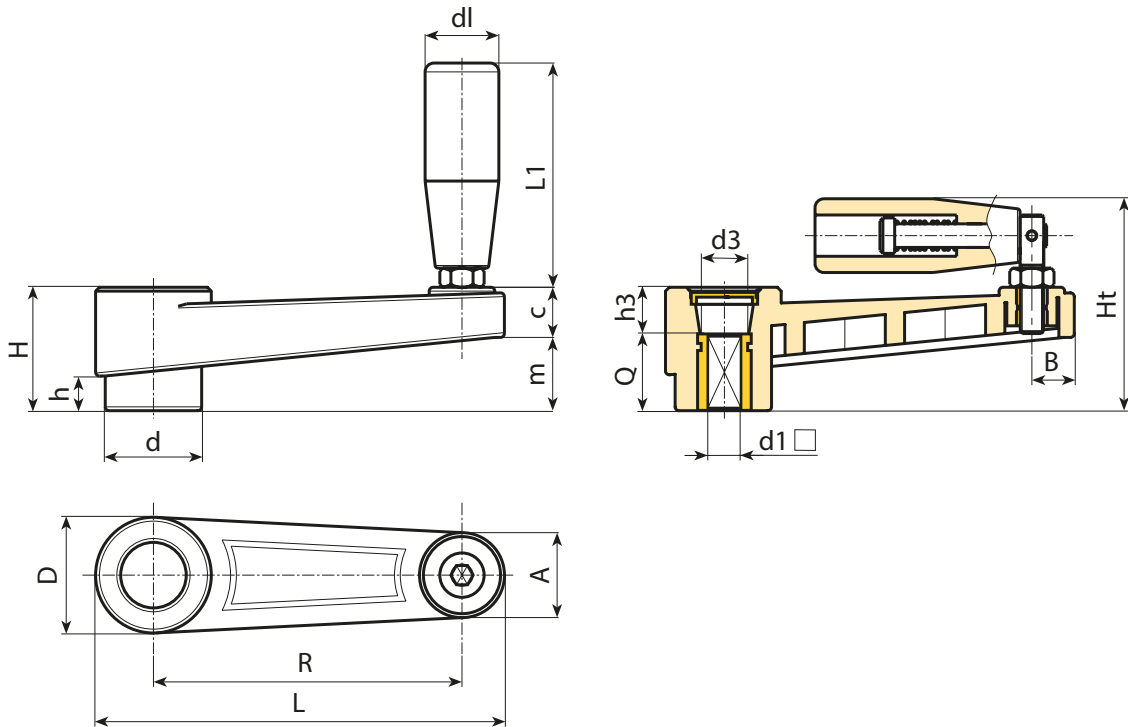
Brass insert with threaded through hole.

### Lateral handle:

Revolving, folding handle art. M136 [page ].

### Special requests:

- Upon request and for special quantities inserts can be supplied in different materials/with different coatings.
- Upon request and for special quantities available in the colours indicated in the chart [page ].



Stock availability as % (🛒)  
90% (●) - 40% (●) - 5% (●)

🛒	Art.	L	R	H	Ht	D	d	m	c	A	B	h	d3	h3	d1 <sub>H10</sub>	Q	dl	L1	🛒
●	E242065.TQ0801P	88,5	65	30	55	27,5	22	17	13	20	9,5	8	14,5	10	8	20	20	54	100
●	E242080.TQ1001P	107	80	33,5	58	32	26	20,5	13	23	11	9	19,5	9,5	10	24	20	54	110
●	E242110.TQ1201P	140	110	39	68	35	29	25	14	24	12	11	19,5	11	12	28	23,5	76	156
●	E242140.TQ1401P	175	140	49	84	44	35,5	32	17	27	13	15,5	24	19	14	30	26	89	240
●	E242185.TQ1701P	223	185	55	90	47,5	40	38,5	16,5	27	14	17	29,5	21	17	34	26	97	430